

Multilayer Ferrite Chip Beads For Signal MB2012-A Series (Automotive)

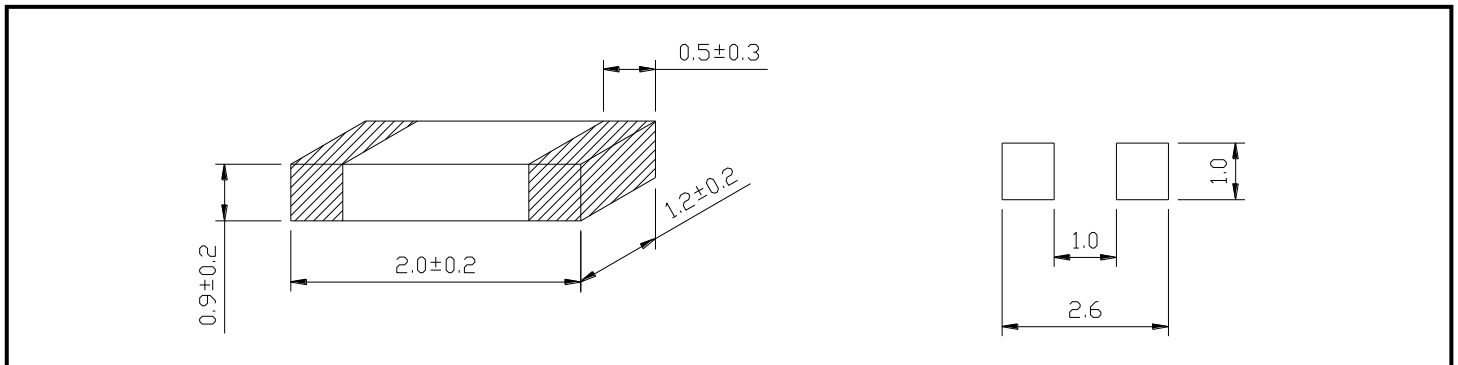


PART NUMBERING SYSTEM

<u>MB</u>	–	<u>2012</u>	–	<u>600</u>	–	<u>3A</u>	–	<u>LF</u>	–	<u>A</u>
TYPE		DIMENSIONS		IMPEDANCE		DC CURRENT		LEAD FREE		AUTOMOTIVE

SHAPES AND DIMENSIONS

UNIT : mm



SPECIFICATION TABLE

PART NUMBER	IMPEDANCE (Ω) at 100MHz	DCR (Ω) (max)	IDC (mA) (max)
MB2012-050-LF-A	5±25%	0.07	500
MB2012-070-LF-A	7±25%	0.10	300
MB2012-100-LF-A	10±25%	0.07	500
MB2012-110-LF-A	11±25%	0.10	300
MB2012-310-LF-A	31±25%	0.10	300
MB2012-400-LF-A	40±25%	0.20	300
MB2012-600-LF-A	60±25%	0.15	300
MB2012-700-LF-A	70±25%	0.15	300
MB2012-800-LF-A	80±25%	0.15	300
MB2012-800-0.5A-LF-A	80±25%	0.15	500
MB2012H-800-LF-A	80±25%	0.10	600
MB2012-101-LF-A	100±25%	0.20	300
MB2012H-101-LF-A	100±25%	0.10	600
MB2012-121-LF-A	120±25%	0.20	300
MB2012H-121-LF-A	120±25%	0.10	900
MB2012-151-LF-A	150±25%	0.20	300
MB2012H-151-LF-A	150±25%	0.10	800

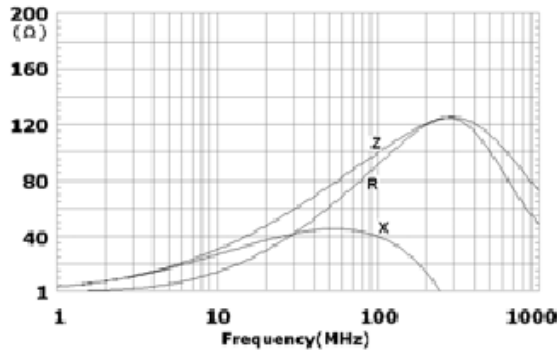
PART NUMBER	IMPEDANCE (Ω) at 100MHz	DCR (Ω) (max)	IDC (mA) (max)
MB2012-201-LF-A	200±25%	0.25	300
MB2012-221-LF-A	220±25%	0.25	300
MB2012-301-LF-A	300±25%	0.25	300
MB2012H-301-LF-A	300±25%	0.20	400
MB2012-331-LF-A	330±25%	0.30	200
MB2012-401-LF-A	400±25%	0.30	300
MB2012-471-LF-A	470±25%	0.35	300
MB2012-601-LF-A	600±25%	0.30	300
MB2012-601-0.5A-LF-A	600±25%	0.30	500
MB2012H-601-LF-A	600±25%	0.20	500
MB2012-751-LF-A	750±25%	0.40	300
MB2012-102-LF-A	1000±25%	0.45	300
MB2012H-102-LF-A	1000±25%	0.30	500
MB2012-122-LF-A	1200±25%	0.40	200
MB2012-152-LF-A	1500±25%	0.70	300
MB2012H-152-LF-A	1500±25%	0.40	400
MB2012HP-152-LF-A	1500±25%	0.40	500
MB2012-182-LF-A	1800±25%	0.40	200
MB2012-202-LF-A	2000±25%	0.40	200
MB2012-202-0.4A-LF-A	2000±25%	0.50	400
MB2012-222-LF-A ⁽¹⁾	2200±25%	0.50	200
MB2012-252-LF-A	2500±25%	0.60	200
MB2012-252-0.4A-LF-A	2500±25%	0.50	400
MB2012-272-LF-A ⁽¹⁾	2700±25%	0.60	200

⁽¹⁾ The height is 1.25±0.2 mm

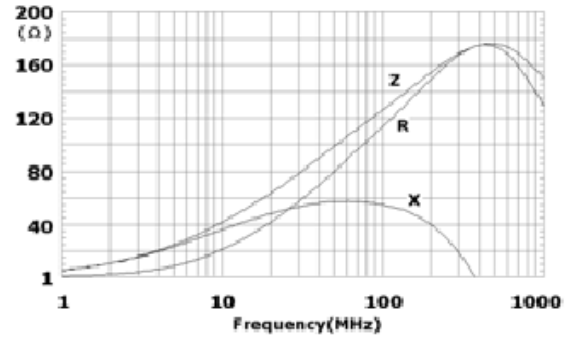
- Test equipment : Agilent/HP-4291A impedance analyzer or equipment .
- Operating temperature range -55°C to +125°C
- Electrical specifications at 25°C
- Noise reduction solution for general signal line.
- Great reduce the possibility of resonance and signal wave forms undistorted.
- Excellent solder heat resistance.
- Various impedances are available to match signal frequency.
- Automotive grade (AEC-Q200)

IMPEDANCE vs FREQUENCY

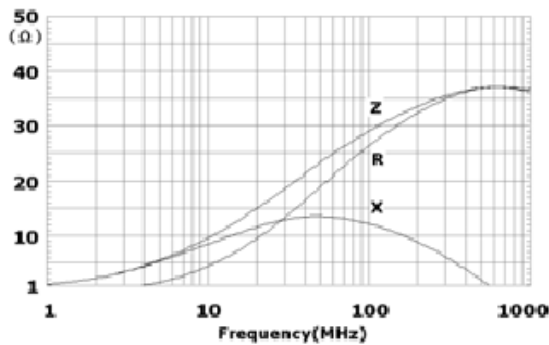
MB2012-101-LF



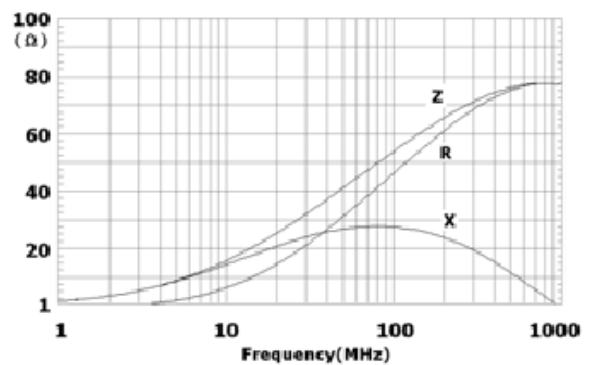
MB2012-121-LF



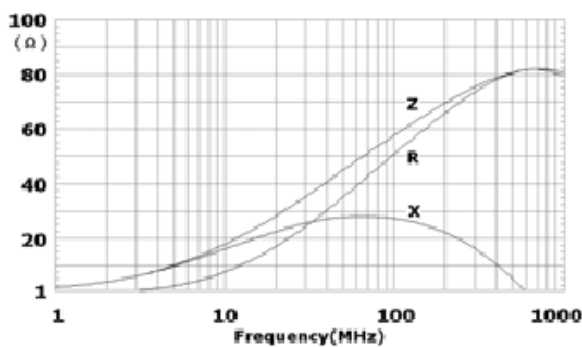
MB2012-310-LF



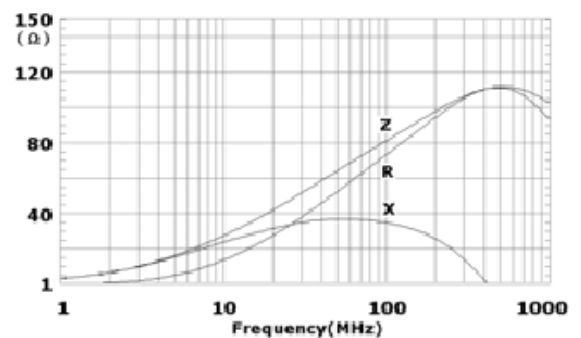
MB2012-520-LF



MB2012-600-LF

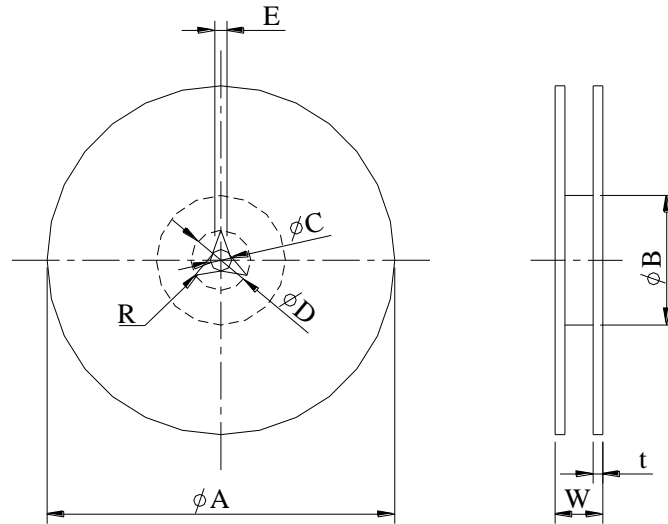


MB2012-800-LF

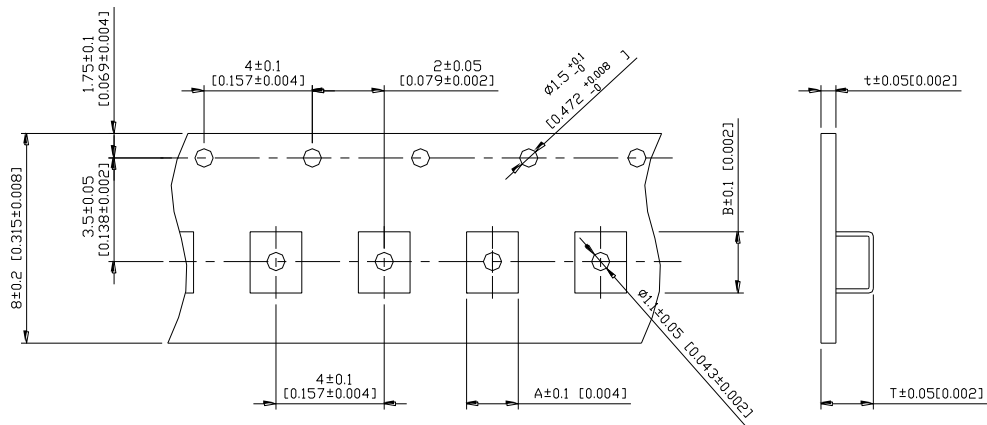


Multilayer Ferrite Chip Beads For Signal MB2012 Series

PACKAGING SPECIFICATION



	A	B	C	D	E	W8	W12	t	R
T($\psi 178\text{mm}$) Reel	$\psi 178 \pm 2$	$\psi 60 \pm 1$	$\psi 13 \pm 0.8$	$\psi 21 \pm 0.8$	2	10 ± 1.5	14.5 ± 1.5	1.27 ± 0.2	1



TYPE	A	B	T	t	T($\psi 178\text{mm}$)	T($\psi 330\text{mm}$)
MB2012	1.55	2.30	1.20	0.2	4000 pcs/reel	-