

## Multilayer Chip Suppressions / High Current Chip Bead ~ MI1005-A SERIES



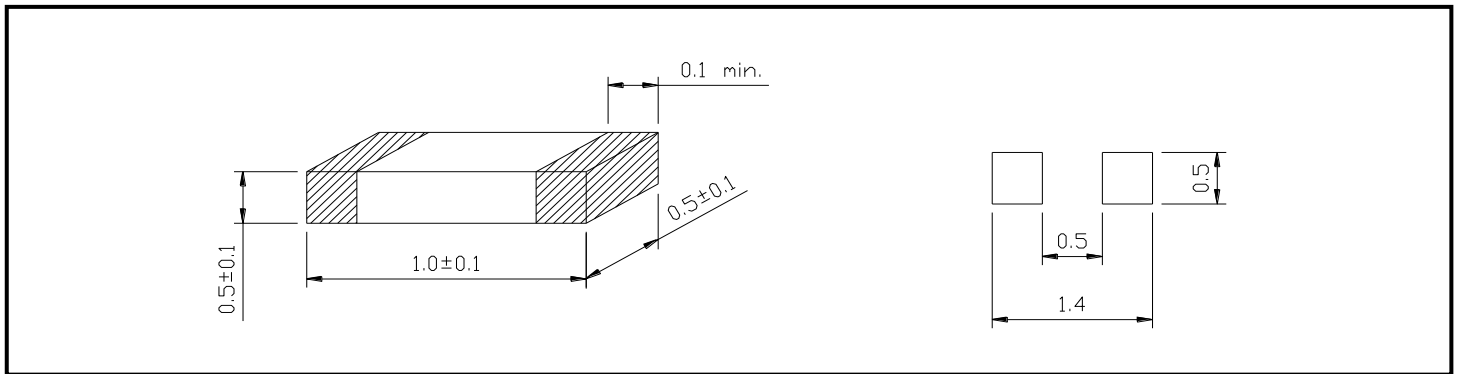
### PART NUMBERING SYSTEM

(AEC-Q200)

<u>MI</u>	<u>1005</u>	–	<u>221</u>	–	<u>1.1A</u>	–	<u>LF</u>	–	<u>A</u>
TYPE	DIMENSIONS		IMPEDANCE		DC CURRENT		LEAD FREE		AUTOMOTIVE

### SHAPES AND DIMENSIONS

UNIT : mm



- Noise reduction solution for general signal line.
- Great reduce the possibility of resonance and signal wave forms undistorted.
- Excellent solder heat resistance, suitable for reflow soldering.
- Various impedances are available to match signal frequency.
- Automotive grade, suitable for Infotainment Systems, GPS, Bluetooth, Dashboard Electronics, Lighting Systems (LED lighting systems, Daytime running lamp), Safety Systems(advanced driver-assistance systems (ADAS))

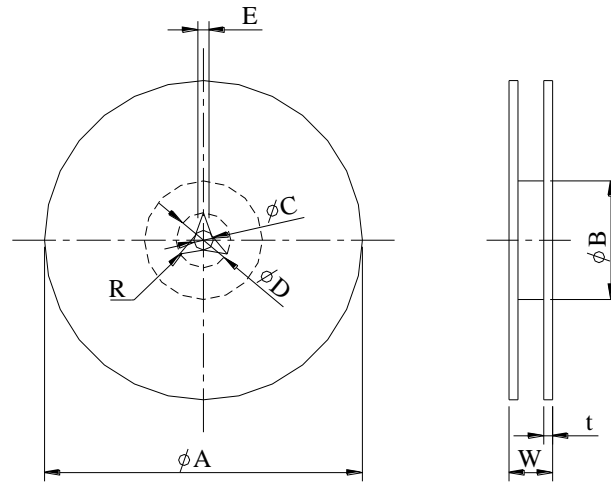
### SPECIFICATION TABLE

PART NUMBER	IMPEDANCE ( $\Omega$ ) at 100MHz	DCR ( $\Omega$ ) (max)	IDC (mA) (max)
MI1005-330-3A-LF-A	33±25%	0.022	3000
MI1005-600-1.5A-LF-A	60±25%	0.075	1500
MI1005-600-2.5A-LF-A	60±25%	0.032	2500
MI1005-800-1.5A-LF-A	80±25%	0.075	1500
MI1005-800-2.3A-LF-A	80±25%	0.038	2300
MI1005-121-1.2A-LF-A	120±25%	0.090	1200
MI1005-121-2A-LF-A	120±25%	0.055	2000
MI1005-181-1.5A-LF-A	180±25%	0.150	1500
MI1005-221-1.1A-LF-A	220±25%	0.180	1100

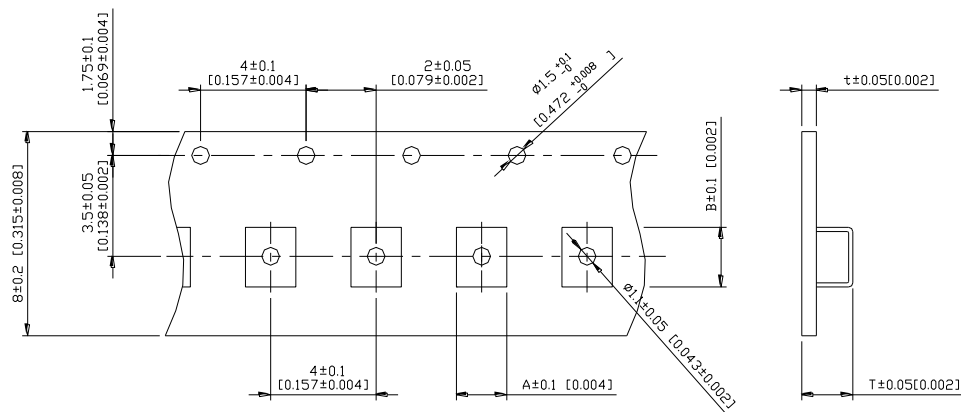
PART NUMBER	IMPEDANCE ( $\Omega$ ) at 100MHz	DCR ( $\Omega$ ) (max)	IDC (mA) (max)
MI1005-221-1.5A-LF-A	220±25%	0.150	1500
MI1005-301-1.2A-LF-A	300±25%	0.150	1200
MI1005-471-1.1A-LF-A	470±25%	0.180	1100
MI1005-601-1A-LF-A	600±25%	0.200	1000

- Test equipment: Agilent/HP-4291A impedance analyzer or equipment.
- Operating temperature range -55°C to +125°C.
- Electrical specifications at 25°C.
- Monolithic inorganic material construction.
- Packing: 7" reel, machine-ready, embossed plastic tape (10,000 parts per full reel)
- High reliability. Reliability test meet AEC-Q200.
- Lead(Pb) & Halogen-Free and RoHS compliant.
- Higher Operating Temperature: -55 to +150°C (Including self-temperature rise) is available, please contact our sales team.

## PACKAGING SPECIFICATION



	A	B	C	D	E	W8	W12	t	R
T( $\psi 178\text{mm}$ ) Reel	$\psi 178 \pm 2$	$\psi 60 \pm 1$	$\psi 13 \pm 0.8$	$\psi 21 \pm 0.8$	2	$10 \pm 1.5$	$14.5 \pm 1.5$	$1.27 \pm 0.2$	1



TYPE	A	B	T	t	T( $\phi 178\text{mm}$ )	T( $\phi 330\text{mm}$ )
MI1005	0.65	1.15	0.80	0.2	10,000 pcs/reel	—