

## High Current Beads / Multilayer Chip Suppressions MI1608-A SERIES



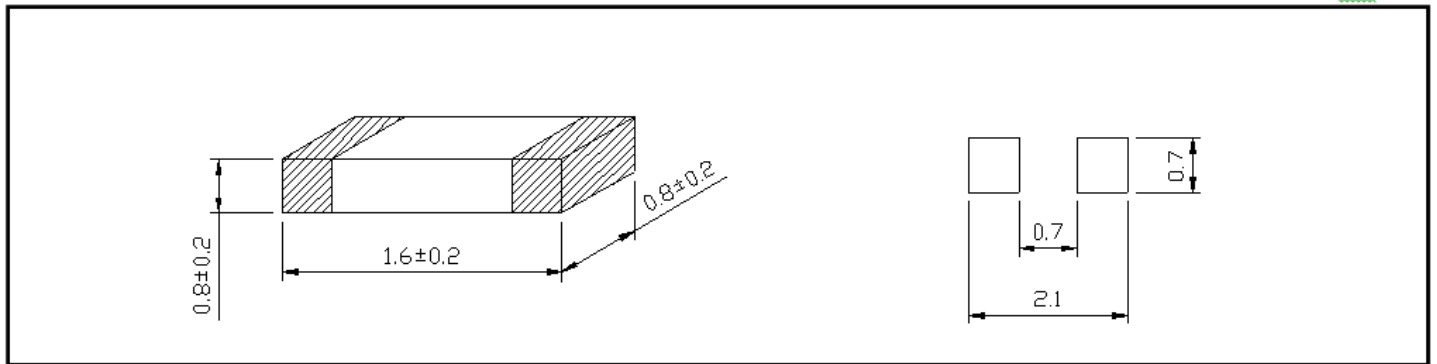
### PART NUMBERING SYSTEM

(AEC-Q200)

<b>MI</b>	<b>1608</b>	<b>221</b>	<b>2A</b>	<b>LF</b>	<b>A</b>
TYPE	DIMENSIONS	IMPEDANCE	DC CURRENT	LEAD FREE	AUTOMOTIVE

### SHAPES AND DIMENSIONS

UNIT : mm



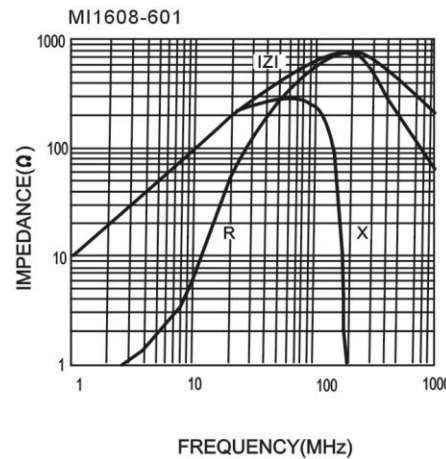
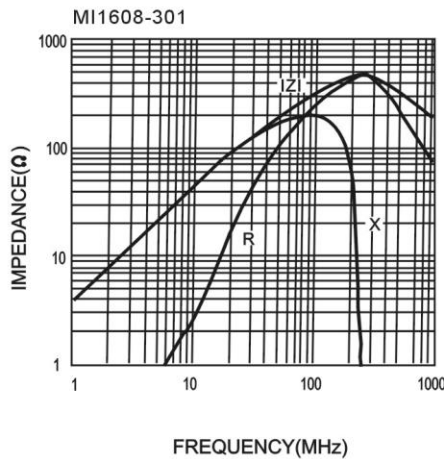
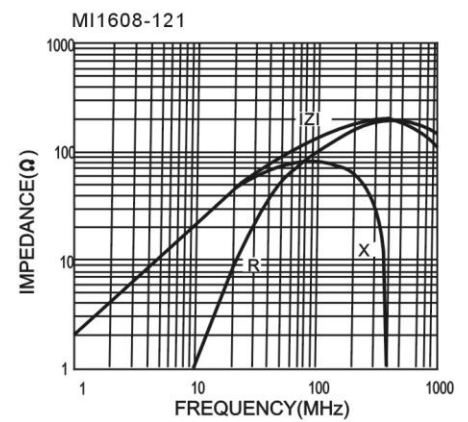
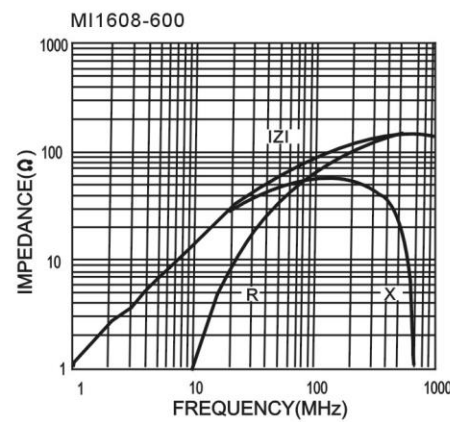
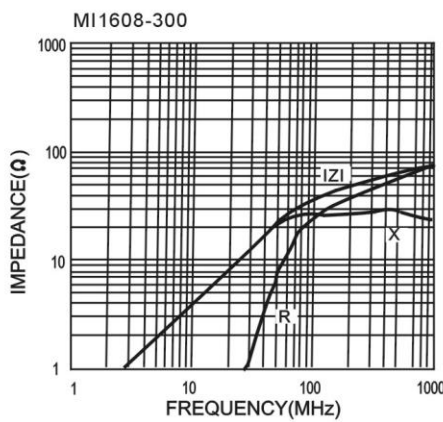
### SPECIFICATION TABLE

PART NUMBER	IMPEDANCE ( $\Omega$ ) at 100MHz	DCR ( $\Omega$ ) (Max.)	IDC (A) (Max.)
MI1608-100-4A-LF-A	10±25%	0.020	4.0
MI1608-100-5A-LF-A	10±25%	0.010	5.0
MI1608-150-3A-LF-A	15±25%	0.030	3.0
MI1608-220-1.5A-LF-A	22±25%	0.050	1.5
MI1608-260-5A-LF-A	26±25%	0.010	5.0
MI1608-280-4A-LF-A	28±25%	0.015	4.0
MI1608-300-3A-LF-A	30±25%	0.040	3.0
MI1608-300-6A-LF-A	30±25%	0.010	6.0
MI1608-470-3A-LF-A	47±25%	0.040	3.0
MI1608-600-3A-LF-A	60±25%	0.040	3.0
MI1608-680-1A-LF-A	68±25%	0.200	1.0
MI1608-700-3A-LF-A	70±25%	0.040	3.0
MI1608-101-3A-LF-A	100±25%	0.040	3.0

## High Current Beads / Multilayer Chip suppressions MI1608-A

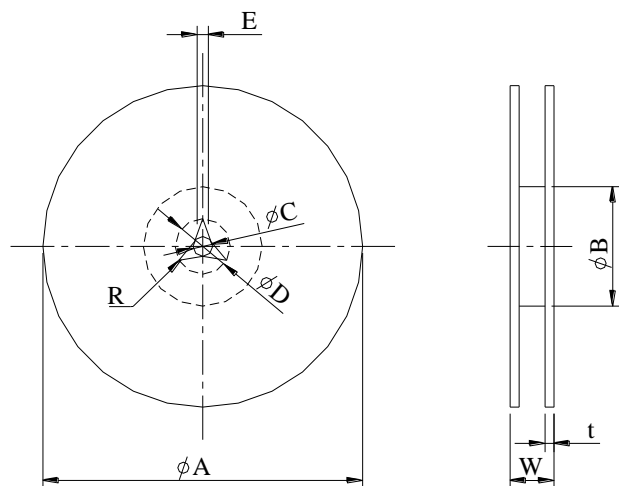
PART NUMBER	IMPEDANCE ( $\Omega$ ) at 100MHz	DCR ( $\Omega$ ) (Max.)	IDC (A) (Max.)
MI1608-121-2A-LF-A	120 $\pm$ 25%	0.050	2.0
MI1608-121-3A-LF-A	120 $\pm$ 25%	0.040	3.0
MI1608-151-2A-LF-A	150 $\pm$ 25%	0.100	2.0
MI1608-181-2A-LF-A	180 $\pm$ 25%	0.060	2.0
MI1608-201-2A-LF-A	200 $\pm$ 25%	0.100	2.0
MI1608-221-1A-LF-A	220 $\pm$ 25%	0.200	1.0
MI1608-221-2A-LF-A	220 $\pm$ 25%	0.080	2.0
MI1608-221-3A-LF-A	220 $\pm$ 25%	0.050	3.0
MI1608-301-2A-LF-A	300 $\pm$ 25%	0.150	2.0
MI1608-331-1.5A-LF-A	300 $\pm$ 25%	0.100	1.5
MI1608-331-2A-LF-A	300 $\pm$ 25%	0.150	2.0
MI1608-471-1A-LF-A	470 $\pm$ 25%	0.200	1.0
MI1608-471-1.5A-LF-A	470 $\pm$ 25%	0.150	1.5
MI1608-471-2A-LF-A	470 $\pm$ 25%	0.150	2.0
MI1608-501-1.5A-LF-A	500 $\pm$ 25%	0.150	1.5
MI1608-601-1A-LF-A	600 $\pm$ 25%	0.300	1.0
MI1608-601-2A-LF-A	600 $\pm$ 25%	0.150	2.0
MI1608-102-1A-LF-A	1000 $\pm$ 25%	0.250	1.0

## IMPEDANCE vs FREQUENCY

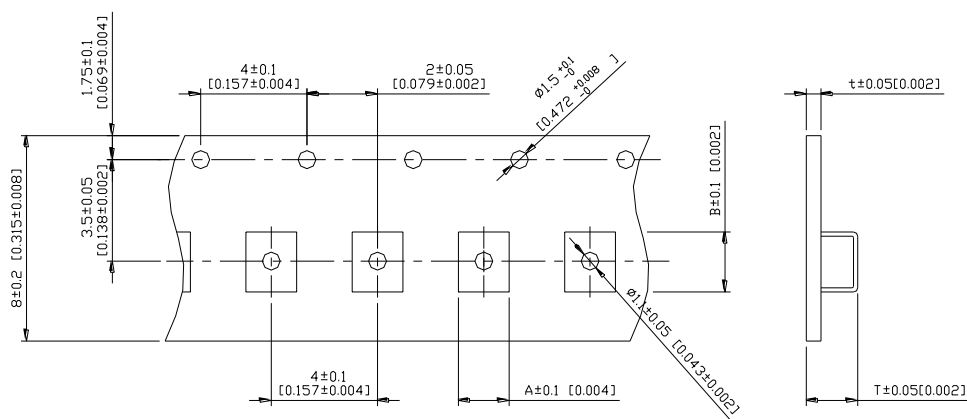


- Test equipment : Agilent/HP-4291A impedance analyzer or equipment .
- Operating temperature range  $-55^{\circ}\text{C}$  to  $+125^{\circ}\text{C}$
- Electrical specifications at  $25^{\circ}\text{C}$
- Noise reduction solution for general signal line.
- Great reduce the possibility of resonance and signal wave forms undistorted.
- Excellent solder heat resistance.
- Various impedances are available to match signal frequency.
- Lead(Pb) & Halogen-Free and RoHS compliant.
- Higher Operating Temperature:  $-55$  to  $+150^{\circ}\text{C}$  (Including self-temperature rise) is available, please contact our sales team.
- High reliability. Reliability test meet AEC-Q200.

## High Current Beads / Multilayer Chip Suppressions MI1608-A SERIES PACKAGING SPECIFICATION



	A	B	C	D	E	W8	W12	t	R
T( $\psi 178\text{mm}$ ) Reel	$\psi 178 \pm 2$	$\psi 60 \pm 1$	$\psi 13 \pm 0.8$	$\psi 21 \pm 0.8$	2	$10 \pm 1.5$	$14.5 \pm 1.5$	$1.27 \pm 0.2$	1



TYPE	A	B	T	t	T( $\phi 178\text{mm}$ )	T( $\phi 330\text{mm}$ )
MI 1608	1.10	1.90	1.10	0.2	4000 pcs/reel	-