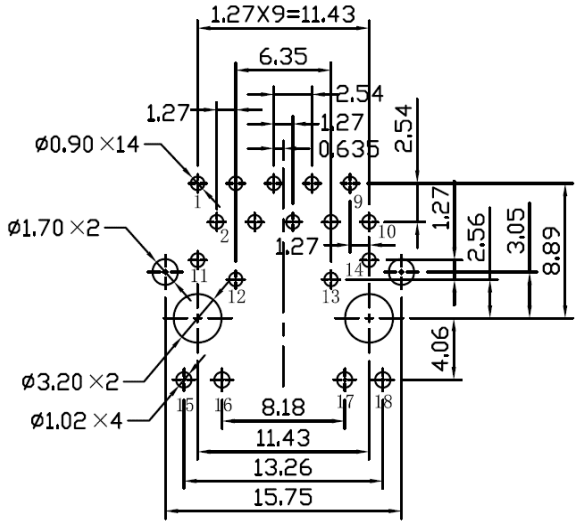
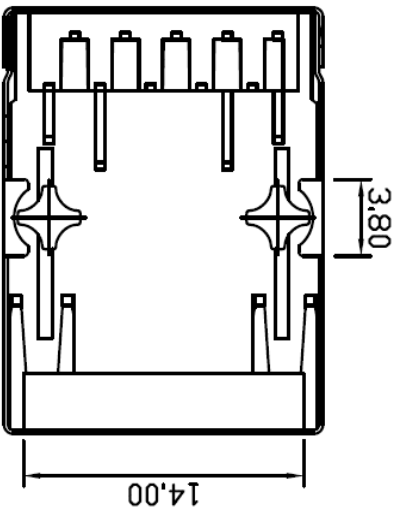
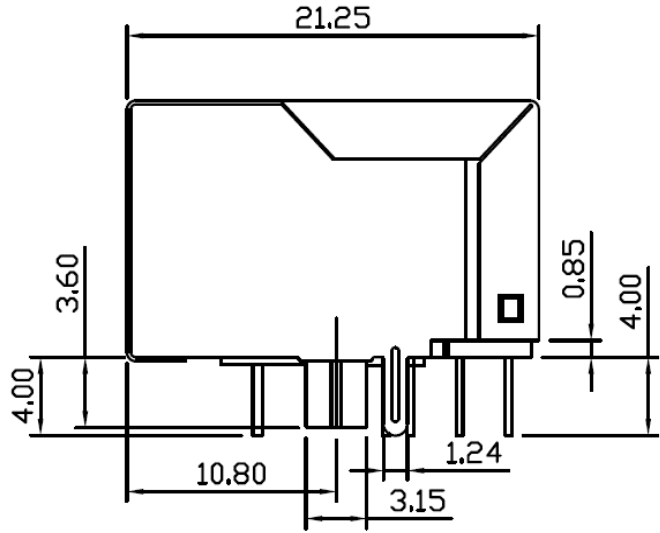
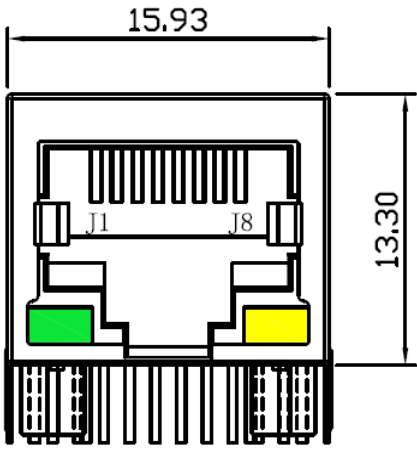


PRODUCT	RJ311108F10213T-LF	COIL SPECIFICATION	DATE	2020/6/29
SPEC.NO.	C-7711-025(00)		CODE NO.	C07711025

1*1 Port RJ-45 Jack POE+
With 100/1000 Base-T Magnetics Module

EXTERNAL DIMENSIONS :



Tolerances unless otherwise specified:
.0±0.25 .00±0.20 .000±0.05

Contact plating : Gold 6 micro-inches min. in contact area.
Gold Plating over Nickel

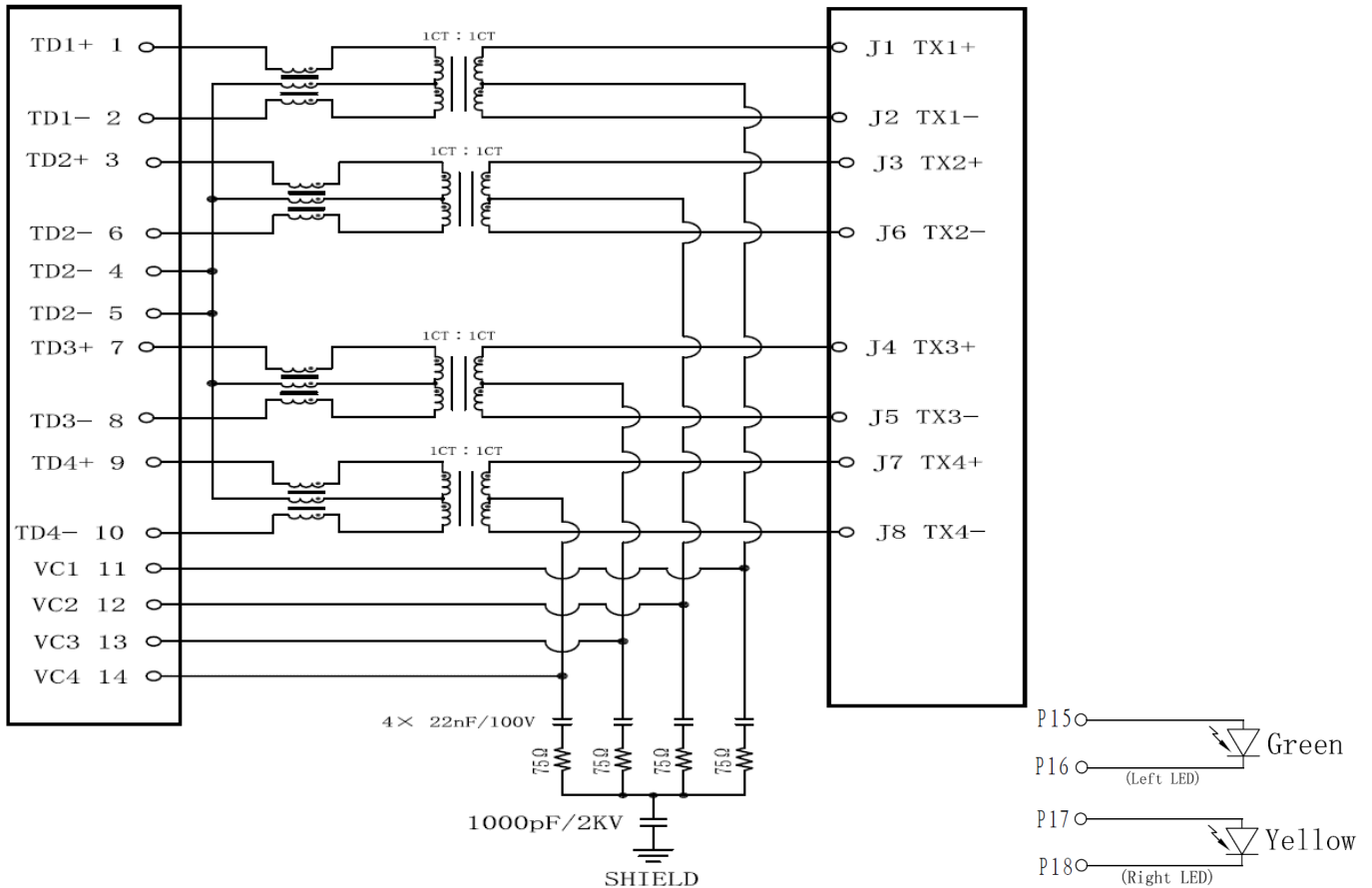
Marking: 311108F10213T
CME YYWW(date code)

COILMASTER ELECTRONICS CO., LTD.

PRODUCT	RJ311108F10213T-LF	COIL SPECIFICATION	DATE	2020/6/29
SPEC.NO.	C-7711-025(00)		CODE NO.	C07711025

PCB JACK SEPCIFICATION :

1. TR (100KHz, 100mV) : TX=1CT : 1CT \pm 3%
RX=1CT : 1CT \pm 3%
2. OCL: 350uH Min. @ 100KHz/100m VRMS 8mA DC BIAS
3. INSERTION LOSS -1.2dB Max. @ 100KHz to 100MHz
4. RETURN LOSS : -18dB Min. @ 1MHz to 30MHz
-14dB Min. @ 30MHz to 60MHz
-12dB Min. @ 60MHz to 80MHz
5. CROSS TALK : -30dB Min. @ 1MHz to 100MHz
6. CMR : -30dB Min. @ 1MHz to 100MHz
8. Isolation Voltage: 1500Vrms (Input to Output)
9. POE RATING: 60W, 720mA 58V(For POE+ Products Only)
9. Operating Temperature : -40~85°C



COILMASTER ELECTRONICS CO., LTD.