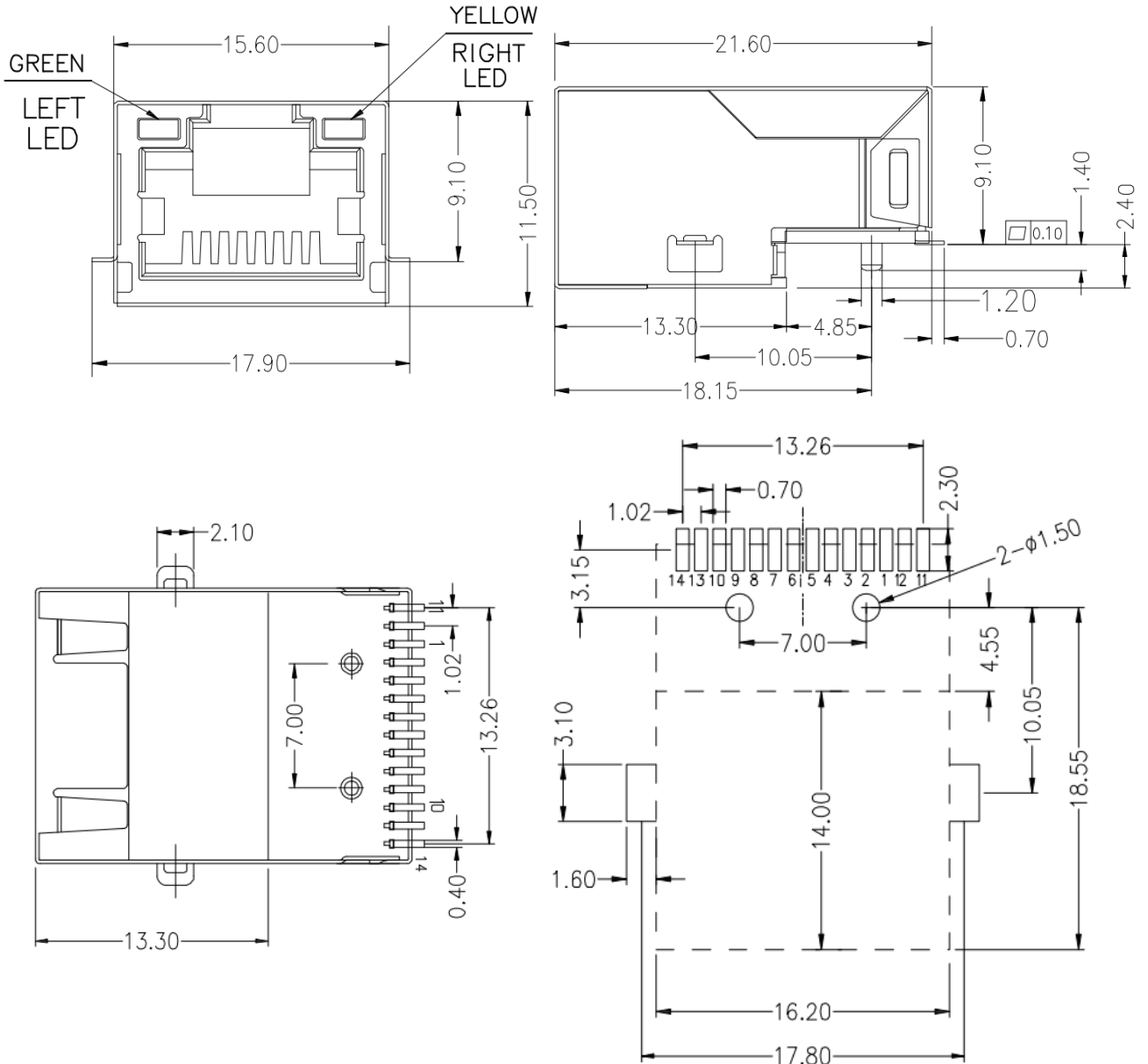


|          |                 |                               |          |           |
|----------|-----------------|-------------------------------|----------|-----------|
| PRODUCT  | RJ31M19006BB-LF | <b>COIL<br/>SPECIFICATION</b> | DATE     | 2022/4/28 |
| SPEC.NO. | C-7719-034(00)  |                               | CODE NO. | C07719034 |

**EXTERNAL DIMENSIONS :**



Tolerance : .XXX ±0.05    .X    ±0.25  
                  .XX    ±0.20

Angles : ±1°

Unit : mm

Notes : Contact plating : Gold 6 micro-inches min. In contact area.

Meets IEEE 802.3 specification

Reflow soldering 260°C for 5~10s

Marking : 31M19006BB

CME YYWW(date code)

**COILMASTER ELECTRONICS CO., LTD.**

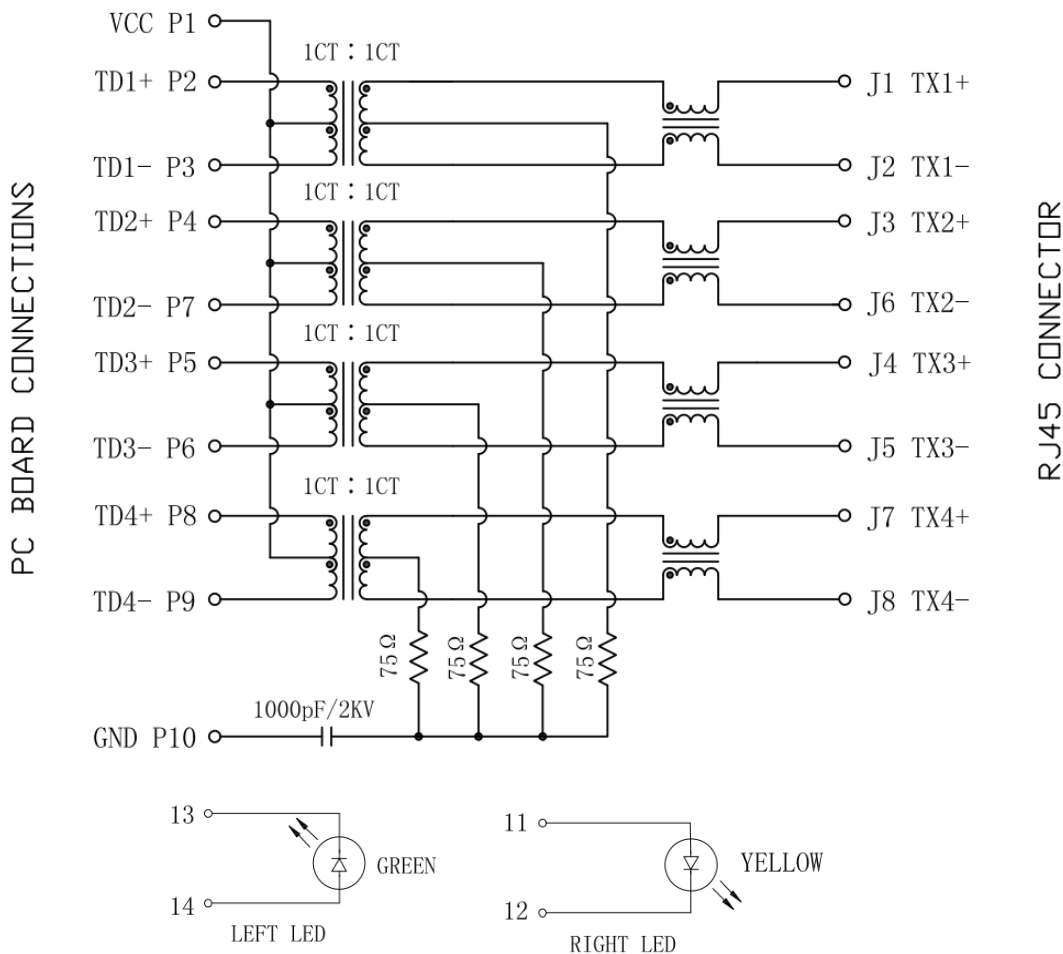
|                 |                        |                               |                 |                  |
|-----------------|------------------------|-------------------------------|-----------------|------------------|
| <b>PRODUCT</b>  | <b>RJ31M19006BB-LF</b> | <b>COIL<br/>SPECIFICATION</b> | <b>DATE</b>     | <b>2022/4/28</b> |
| <b>SPEC.NO.</b> | <b>C-7719-034(00)</b>  |                               | <b>CODE NO.</b> | <b>C07719034</b> |

**ELECTRICAL CHARACTERISTIC @25°C :**

1. Turns Ration ( $\pm 5\%$ ) : 1CT : 1CT
2. Inductance OCL : 150uH Min. @ 100KHz / 0.1V
3. Return Loss (Min.) : 1-40MHz : -20dB  
40-200MHz :  $-12+15 \cdot \text{LOG}_{10}(F/40)$
4. Crosstalk (Min.) : 1-125MHz : -30dB
5. Insertion Loss(Max.) : 1-50MHz : -0.5dB  
50-125MHz : -1.0dB
6. CMR(dB Min) : 30-200MHz : -30dB
7. Common Mode to Differential Mode Rejection(dB Min): 10-125MHz :  $-45+F/35$
8. Hi-Pot : 1500Vrms Min
9. Operating Temperature :  $-40^{\circ}\text{C} \sim +85^{\circ}\text{C}$

With 2.5G Magnetic

**SCHEMATIC DRAWING :**



**COILMASTER ELECTRONICS CO., LTD.**