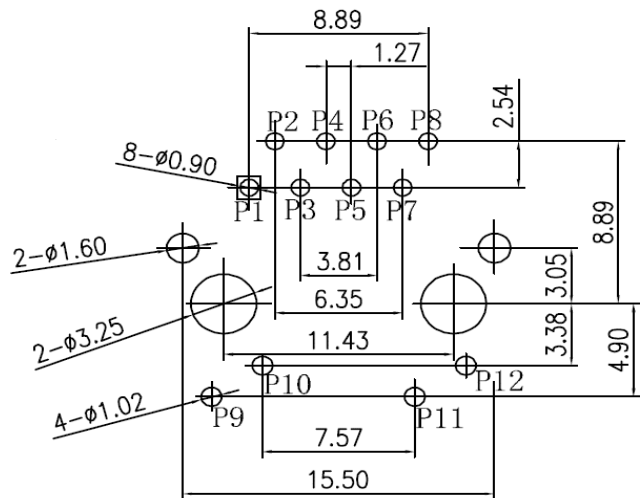
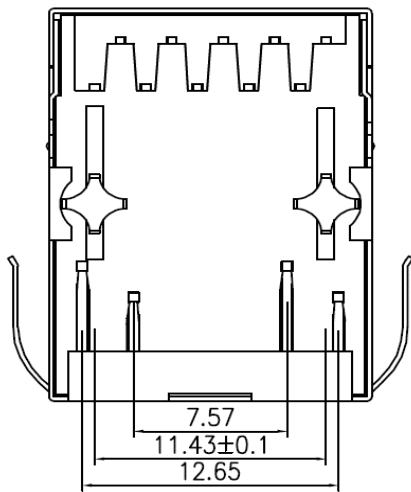
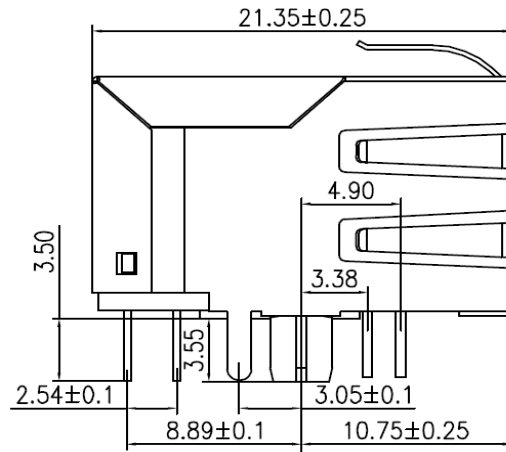
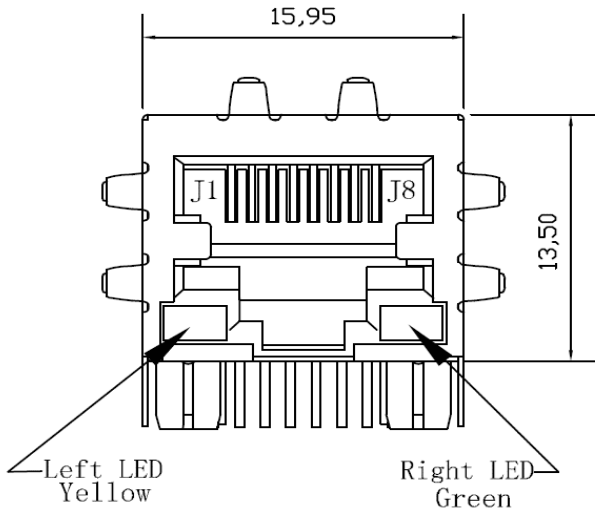


PRODUCT	RJ321104C100717-LF	<b>COIL SPECIFICATION</b>	DATE	2020/4/27
SPEC.NO.	C-7711-043(00)		CODE NO.	C07711043

**EXTERNAL DIMENSIONS :**



P. C. B RECOMMENDED HOLE LAYOUT SEEN FROM COMPONENT SIDE.  
ALL CENTERLINE DIMENSIONS ARE BASIC

**LED Specification**

Standard LED Color	LED Wavelength	Forward (V MAX)	Typical (V TYP)	Luminous Intensity
Green	560-580 nm	2.5V	2.1-2.2V	9-25 MCD
Yellow	580-610 nm	2.5V	2.1-2.2V	9-30 MCD

PRODUCT	RJ321104C100717-LF	<b>COIL SPECIFICATION</b>	DATE	2020/4/27
SPEC.NO.	C-7711-043(00)		CODE NO.	C07711043

**ELECTRICAL CHARACTERISTIC : @25±5°C**

- 1 Isolation Voltage: 1500V/AC(Input to Output)
- 2 OCL: 350uH Minimum @100KHz 100mV 8mA DC
- 3 Insertion Loss: -1.2dB Maximum @100KHz-100MHz
- 4 Return Loss:
  - 18dB Minimum @1MHz-30MHz
  - 14dB Minimum @30MHz-60MHz
  - 12dB Minimum @60MHz-80MHz
  - 10dB Minimum @80MHz-100MHz
- 5 Common Mode Rejection: -30dB Minimum @1MHz-100MHz
- 6 Cross Talk: -30dB Minimum @1MHz-100MHz
- 7 Operating Temperature: -40°C to +85°C
- 8 Storage Temperature: -40°C to +85°C

**SCHEMATIC DRAWING :**

