



Automotive Molded High Current Inductors - SEP0705EN

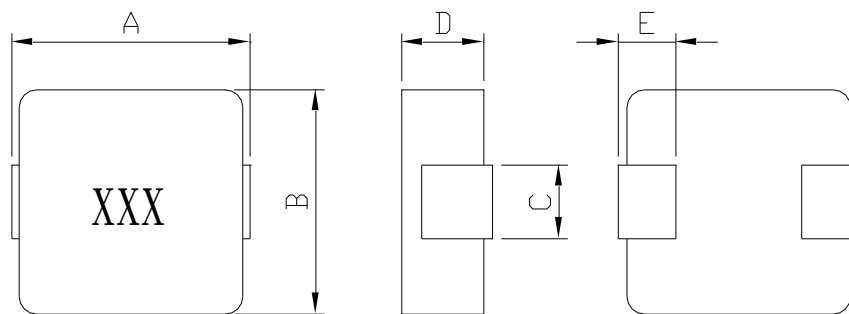
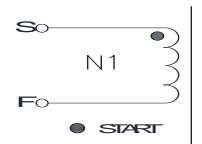


PART NUMBERING SYSTEM

SEP	-	0705EN	-	100	-	LF	-	A
TYPE		DIMENSIONS		INDUCTANCE		LEAD FREE		AUTOMOTIVE

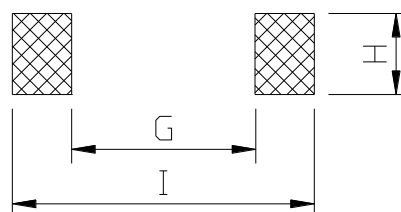
FEATURES :

- AEC-Q200 Grade 1 qualified
- Magnetically shielded with high current carrying capacity. (One winding, no polarity.)
- Inductance range: 10uH to 100uH with DC Current up to 8A.
- Ideal for Body electronics, Advanced driver assistance systems and Infotainment and cluster electronics.
- Frequency range up to 1.0 MHz
- Ultra low buzz noise, due to composite construction.
- Lead Free with RoHS compliant.
- Operating temperature range: -40 °C to +125 °C (ambient plus self-temperature rise)
- **SHAPES AND DIMENSIONS :**



A=7.90±0.30 B=7.30±0.20 C=3.0±0.3 D=5.20±0.20 E=2.0±0.3. UNIT : mm

RECOMMENDED PATTERNS



H=3.5 G= 2.6 I = 8.6 UNIT : mm

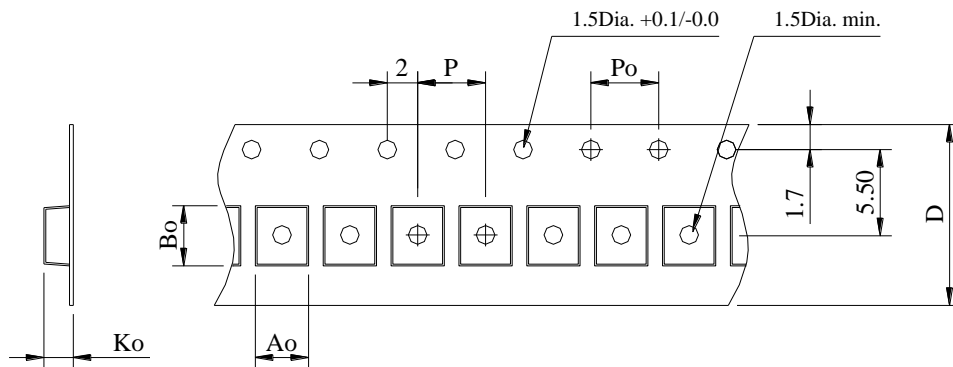


SPECIFICATION TABLE

PART NUMBER	INDUCTANCE (μH)	Isat (A) (Typ.)	Irms (A) (Typ.)	DCR (mΩ) (Max.)	TEST FREQ. (Freq.)
SEP0705EN-100M-LF-A	10±20%	8.0	5.2	38.0	100KHz/1V
SEP0705EN-150M-LF-A	15±20%	6.9	3.8	66.0	100KHz/1V
SEP0705EN-220M-LF-A	22±20%	6.3	3.3	93.5	100KHz/1V
SEP0705EN-330M-LF-A	33±20%	4.9	3.2	127.6	100KHz/1V
SEP0705EN-470M-LF-A	47±20%	4.1	2.4	171.6	100KHz/1V
SEP0705EN-560M-LF-A	56±20%	3.3	2.2	209.3	100KHz/1V
SEP0705EN-680M-LF-A	68±20%	2.8	2.0	255.0	100KHz/1V
SEP0705EN-101M-LF-A	100±20%	2.6	2.0	348.0	100KHz/1V

- Isat : DC current at which the inductance drops 30% (typ) from its value without current.
- Irms : Average current for a 40°C temperature rise above 25°C ambient.
- Operating temperature range -40°C to +125°C , Electrical specifications at 25°C .

PACKAGING SPECIFICATION



STAYLE	Q'TY (PCS)	DIMENSIONS (m/m)					
		Ao	Bo	Ko	P	Po	D±0.3
13"	500	7.6	8.1	5.7	12	4.0	16