

## High Current Power Inductors SEP1004EN SERIES ~

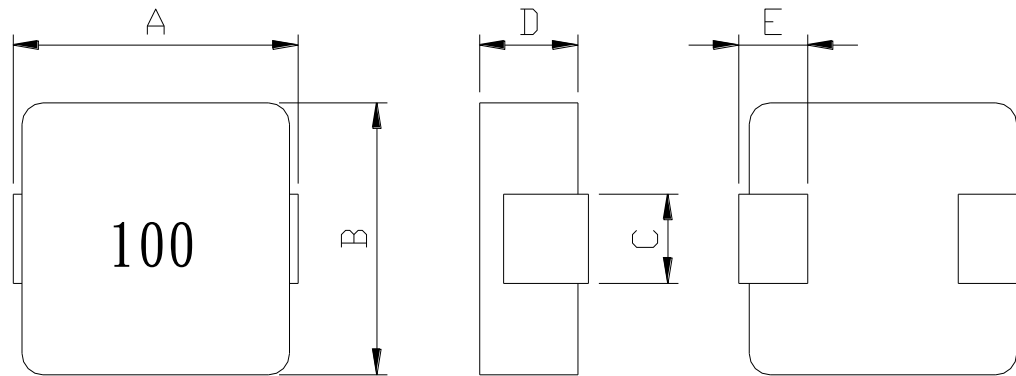


### PART NUMBERING SYSTEM

<b>SEP</b>	<b>1004EN</b>	—	<b>100</b>	—	<b>M</b>	—	<b>LF</b>
TYPE	DIMENSIONS		INDUCTANCE		Tolerance		LEAD FREE

### SHAPES AND DIMENSIONS

UNIT : mm



A=11.5±1.0 B=10.0±0.5 C=3.0 Ref. D=4.0 Max. E=2.0 Ref.

UNIT : mm

### FEATURES :

- DC current up to 75Amp.
- Magnetically shielded low DC resistance.
- Suitable for large current application.
- Laptop & Notebook computers.
- Battery powered equipment.
- DC/DC converters.
- Custom design / automotive grade available.

### Application

- DC/DC converters
- VRM for consumer or commercial application
- LCD TVs, monitors and panels
- Game consoles

## SPECIFICATION TABLE

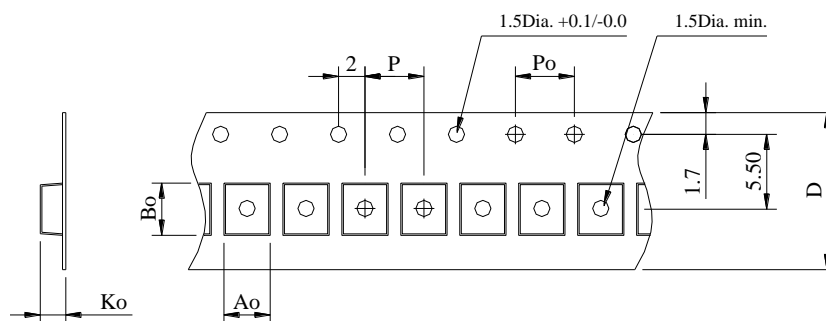
PART NUMBER	INDUCTANCE (μH)	I <sub>sat</sub> ( A ) (Typ.)	I <sub>rms</sub> ( A ) (Δt) 40°C (Typ.)	DCR (mΩ) (Typ.)	Test Freq. (KHz)
SEP1004EN-R15N-LF	0.15±30%	75.0	45.0	0.65	100KHz/1V
SEP1004EN-R22N-LF	0.22±30%	60.0	35.0	1.0	100KHz/1V
SEP1004EN-R36N-LF	0.36±30%	45.0	30.0	1.2	100KHz/1V
SEP1004EN-R47M-LF	0.47±20%	40.0	30.0	1.7	100KHz/1V
SEP1004EN-R56M-LF	0.56±20%	33.0	25.0	1.8	100KHz/1V
SEP1004EN-R68M-LF	0.68±20%	30.0	23.0	2.4	100KHz/1V
SEP1004EN-1R0M-LF	1.00±20%	28.0	19.0	3.3	100KHz/1V
SEP1004EN-1R5M-LF	1.50±20%	24.0	16.0	4.2	100KHz/1V
SEP1004EN-2R2M-LF	2.20±20%	16.5	12.0	7.0	100KHz/1V
SEP1004EN-3R3M-LF	3.30±20%	16.0	11.0	11.8	100KHz/1V
SEP1004EN-4R7M-LF	4.70±20%	13.0	9.0	20.0	100KHz/1V
SEP1004EN-6R8M-LF	6.80±20%	12.0	8.5	25.0	100KHz/1V
SEP1004EN-8R2M-LF	6.80±20%	9.0	8.0	27.0	100KHz/1V
SEP1004EN-100M-LF	10.0±20%	8.5	7.8	30.0	100KHz/1V
SEP1004EN-150M-LF	15.0±20%	7.0	6.5	45.0	100KHz/1V
SEP1004EN-220M-LF	22.0±20%	5.5	5.0	66.0	100KHz/1V
SEP1004EN-330M-LF	33.0±20%	4.8	4.4	92.0	100KHz/1V
SEP1004EN-470M-LF	47.0±20%	3.5	3.3	145	100KHz/1V
SEP1004EN-680M-LF	68.0±20%	3.0	2.5	195	100KHz/1V
SEP1004EN-101M-LF	100.0±20%	2.3	2.0	340	100KHz/1V

I<sub>sat</sub> : DC current at which the inductance drops 30% (typ) from its value without current.

I<sub>rms</sub> : Average current for a 40°C temperature rise above 25°C ambient.

Operating temperature range -40°C to +125°C.

### PACKAGING SPECIFICATION



STAYLE	Q'TY (PCS)	DIMENSIONS (m/m)					
		Ao	Bo	Ko	P	Po	D±0.3
13"	500	10.4	11.5	5.4	16	4.0	24