

High Current Power Inductors SEP1005EN SERIES ~

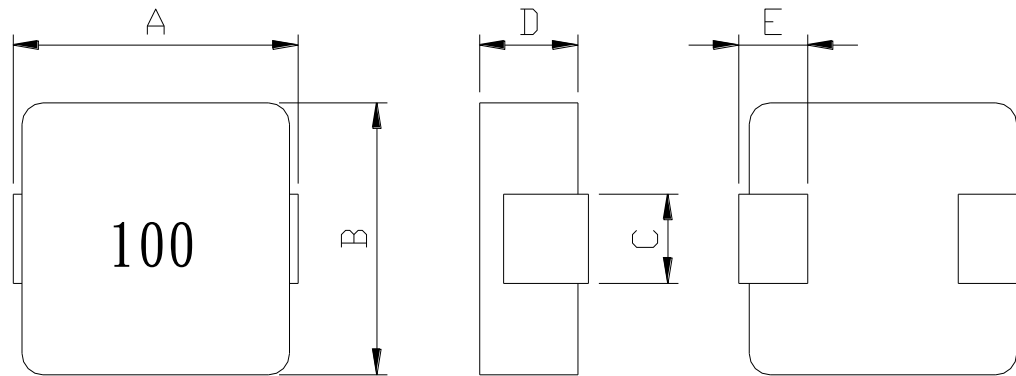


PART NUMBERING SYSTEM

SEP	1005EN	—	100	—	M	—	LF
TYPE	DIMENSIONS		INDUCTANCE		Tolerance		LEAD FREE

SHAPES AND DIMENSIONS

UNIT : mm



A=11.5±1.0 B=10.0±0.5 C=3.0 Ref. D=5.0 Max. E=2.0 Ref.

UNIT : mm

FEATURES :

- DC current up to 118Amp.
- Magnetically shielded low DC resistance.
- Suitable for large current application.
- Laptop & Notebook computers.
- Battery powered equipment.
- DC/DC converters.
- Custom design / automotive grade available.

Application

- DC/DC converters
- VRM for consumer or commercial application
- LCD TVs, monitors and panels
- Game consoles

SPECIFICATION TABLE

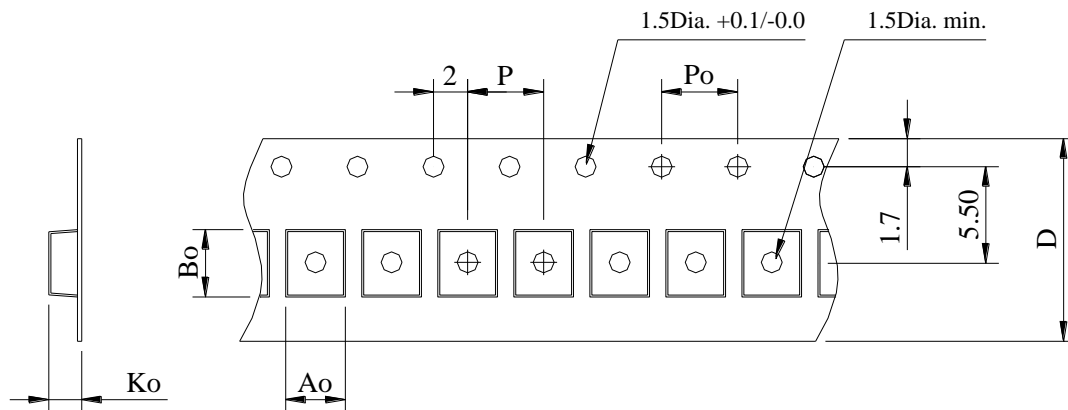
PART NUMBER	INDUCTANCE (μH)	I _{sat} (A) (Typ.)	I _{rms} (A) (Δt) 40°C (Typ.)	DCR (mΩ) (Typ.)	Test Freq. (KHz)
SEP1005EN-R22M-LF	0.22±20%	65.0	37.0	0.80	100KHz/1V
SEP1005EN-1R0M-LF	1.00±20%	30.0	23.0	3.00	100KHz/1V
SEP1005EN-1R5M-LF	1.50±20%	25.0	21.0	3.80	100KHz/1V
SEP1005EN-2R2M-LF	2.20±20%	19.0	15.0	6.00	100KHz/1V
SEP1005EN-3R3M-LF	3.30±20%	16.0	13.0	10.0	100KHz/1V
SEP1005EN-4R7M-LF	4.70±20%	15.0	11.0	14.0	100KHz/1V
SEP1005EN-6R8M-LF	6.80±20%	14.0	9.00	18.5	100KHz/1V
SEP1005EN-100M-LF	10.0±20%	11.0	7.60	23.0	100KHz/1V
SEP1005EN-150M-LF	15.0±20%	7.50	6.50	42.0	100KHz/1V
SEP1005EN-220M-LF	22.0±20%	6.00	5.50	50.0	100KHz/1V
SEP1005EN-330M-LF	33.0±20%	5.20	4.80	86.0	100KHz/1V
SEP1005EN-470M-LF	47.0±20%	4.50	3.70	127	100KHz/1V
SEP1005EN-101M-LF	100.0±20%	2.80	2.10	290	100KHz/1V

I_{sat} : DC current at which the inductance drops 30% (typ) from its value without current.

I_{rms} : Average current for a 40°C temperature rise above 25°C ambient.

Operating temperature range -40°C to +125°C.

PACKAGING SPECIFICATION



STAYLE	Q'TY (PCS)	DIMENSIONS (m/m)					
		Ao	Bo	Ko	P	Po	D±0.3
13"	500	10.4	11.5	5.4	16	4.0	24