



Flat Wire High Efficiency SMD Inductor SEP1204A



PART NUMBERING SYSTEM

SEP	1204A	—	1R8M	—	LF
TYPE	DIMENSIONS		INDUCTANCE		LEAD FREE

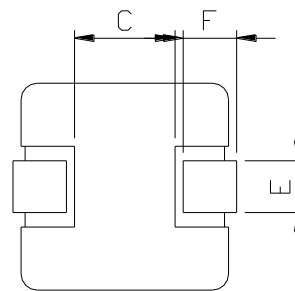
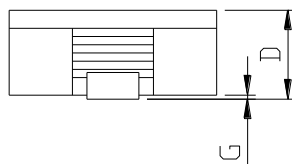
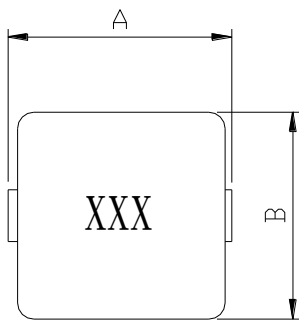
SHAPES AND DIMENSIONS :

UNIT : mm



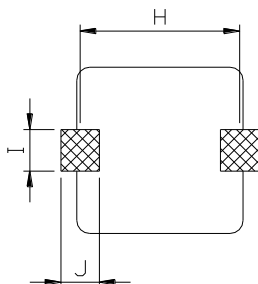
FEATURES :

- * Low profile.
- * Magnetically shielded low DC resistance .
- * Suitable for large current application.
- * Prevent EMI effect via precise impedance
- * Laptop & Notebook computers.
- * Battery powered equipment.
- * DC/DC converters.
- * Digital 、 Cameras 、 Scanners, CD-ROM & DVD.



A=13.0±1.0 B=12.8±0.5 D=3.5 Max. E=2.5±0.5 F=3.0±1.0 UNIT : mm

RECOMMENDED PATTERNS



H=10.50 I= 5.00 J= 4.50 UNIT : mm



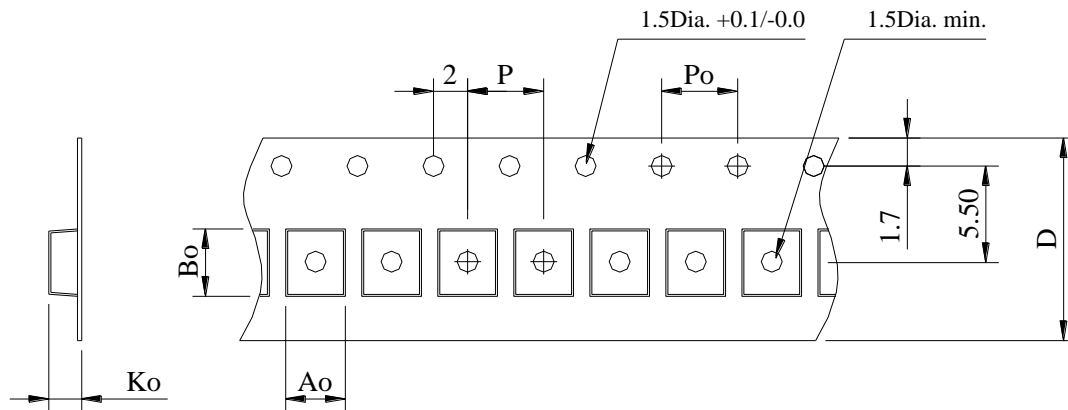
Flat Wire High Efficiency SMD Inductor SEP1204A

SPECIFICATION TABLE

PART NUMBER	INDUCTANCE (μH)	I _{sat} (A) (Typ.)	I _{rms} (A) (Δt) 40°C (Typ.)	DCR (mΩ) (Max.)	Test Freq. (KHz)
SEP1204A-R25N-LF	0.25±30%	60.0	24.0	0.83	100KHz/0.1V
SEP1204A-R68M-LF	0.68±20%	40.0	22.0	1.74	100KHz/0.1V
SEP1204A-1R2M-LF	1.20±20%	28.0	17.0	3.14	100KHz/0.1V
SEP1204A-1R8M-LF	1.80±20%	22.0	14.0	6.16	100KHz/0.1V
SEP1204A-2R2M-LF	2.20±20%	18.0	14.0	6.27	100KHz/0.1V
SEP1204A-3R3M-LF	3.30±20%	14.0	12.0	8.91	100KHz/0.1V

- I_{sat} : DC current at which the inductance drops 30% (typ) from its value without current.
- I_{rms} : Average current for a 40°C temperature rise above 25°C ambient.
- Operating temperature range -40°C to +125°C , Electrical specifications at 25°C.
- Custom design available.

PACKAGING SPECIFICATION



STAYLE	Q' TY (PCS)	DIMENSIONS (m/m)					
		Ao	Bo	Ko	P	Po	D±0.3
13"	600	13.5	14.0	3.7	16	4.0	24