



Flat Wire High Efficiency SMD Inductor SEP1205A



PART NUMBERING SYSTEM

SEP	1205A	—	1R8M	—	LF
TYPE	DIMENSIONS		INDUCTANCE		LEAD FREE

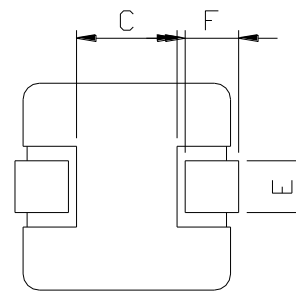
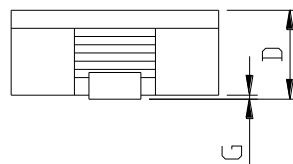
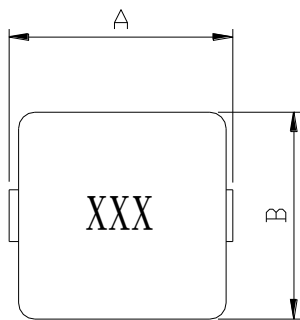
SHAPES AND DIMENSIONS :

UNIT : mm



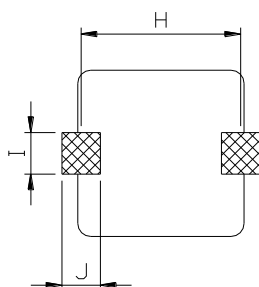
FEATURES :

- * Low profile.
- * Magnetically shielded low DC resistance .
- * Suitable for large current application.
- * Prevent EMI effect via precise impedance
- * Laptop & Notebook computers.
- * Battery powered equipment.
- * DC/DC converters.
- * Digital 、 Cameras 、 Scanners, CD-ROM & DVD.



A=13.0±1.0 B=12.8±0.5 D=5.0 Max. E=2.5±0.5 F=3.0±1.0 UNIT : mm

RECOMMENDED PATTERNS



H=10.50 I= 5.00 J= 4.50 UNIT : mm



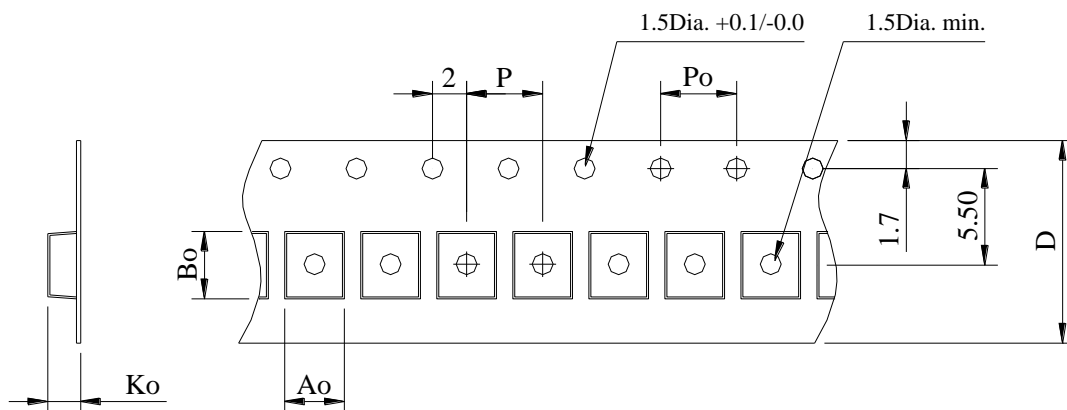
Flat Wire High Efficiency SMD Inductor SEP1205A

SPECIFICATION TABLE

PART NUMBER	INDUCTANCE (μH)	I _{sat} (A) (Typ.)	I _{rms} (A) (Δt) 40°C (Typ.)	DCR (mΩ) (Max.)	Test Freq. (KHz)
SEP1205A-R19N-LF	0.19±30%	60.0	29.0	0.55	100KHz/0.1V
SEP1205A-R47M-LF	0.47±20%	50.0	26.0	0.99	100KHz/0.1V
SEP1205A-R90M-LF	0.90±20%	28.0	24.0	1.76	100KHz/0.1V
SEP1205A-1R4M-LF	1.40±20%	26.0	22.0	2.64	100KHz/0.1V
SEP1205A-2R3M-LF	2.30±20%	17.0	17.5	4.07	100KHz/0.1V
SEP1205A-3R2M-LF	3.20±20%	15.0	16.0	5.83	100KHz/0.1V
SEP1205A-4R8M-LF	4.80±20%	13.0	11.0	11.55	100KHz/0.1V
SEP1205A-6R0M-LF	6.00±20%	11.5	9.50	14.85	100KHz/0.1V
SEP1205A-8R2M-LF	8.20±20%	11.0	10.0	12.76	100KHz/0.1V
SEP1205A-100M-LF	10.0±20%	10.0	8.50	15.51	100KHz/0.1V

- I_{sat} : DC current at which the inductance drops 30% (typ) from its value without current.
- I_{rms} : Average current for a 40°C temperature rise above 25°C ambient.
- Operating temperature range -40°C to +125°C , Electrical specifications at 25°C.
- Custom design available.

PACKAGING SPECIFICATION



STAYLE	Q' TY (PCS)	DIMENSIONS (m/m)					
		Ao	Bo	Ko	P	Po	D±0.3
13"	500	13.5	14.0	5.2	16	4.0	24