



## SMD Common Mode Noise Filters ~ SMM5025S(A) SERIES



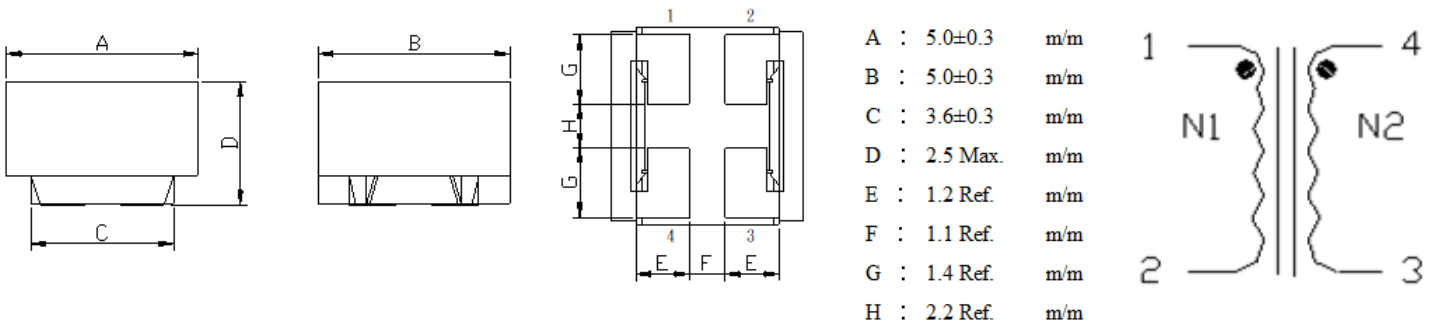
### PART NUMBERING SYSTEM

(AEC-Q200)

|            |              |   |            |   |           |   |          |
|------------|--------------|---|------------|---|-----------|---|----------|
| <b>SMM</b> | <b>5025S</b> | — | <b>121</b> | — | <b>LF</b> | — | <b>A</b> |
| TYPE       | DIMENSIONS   |   | IMPEDANCE  |   | LEAD FREE |   | AEC-Q200 |

### SHAPES AND DIMENSIONS

UNIT : mm



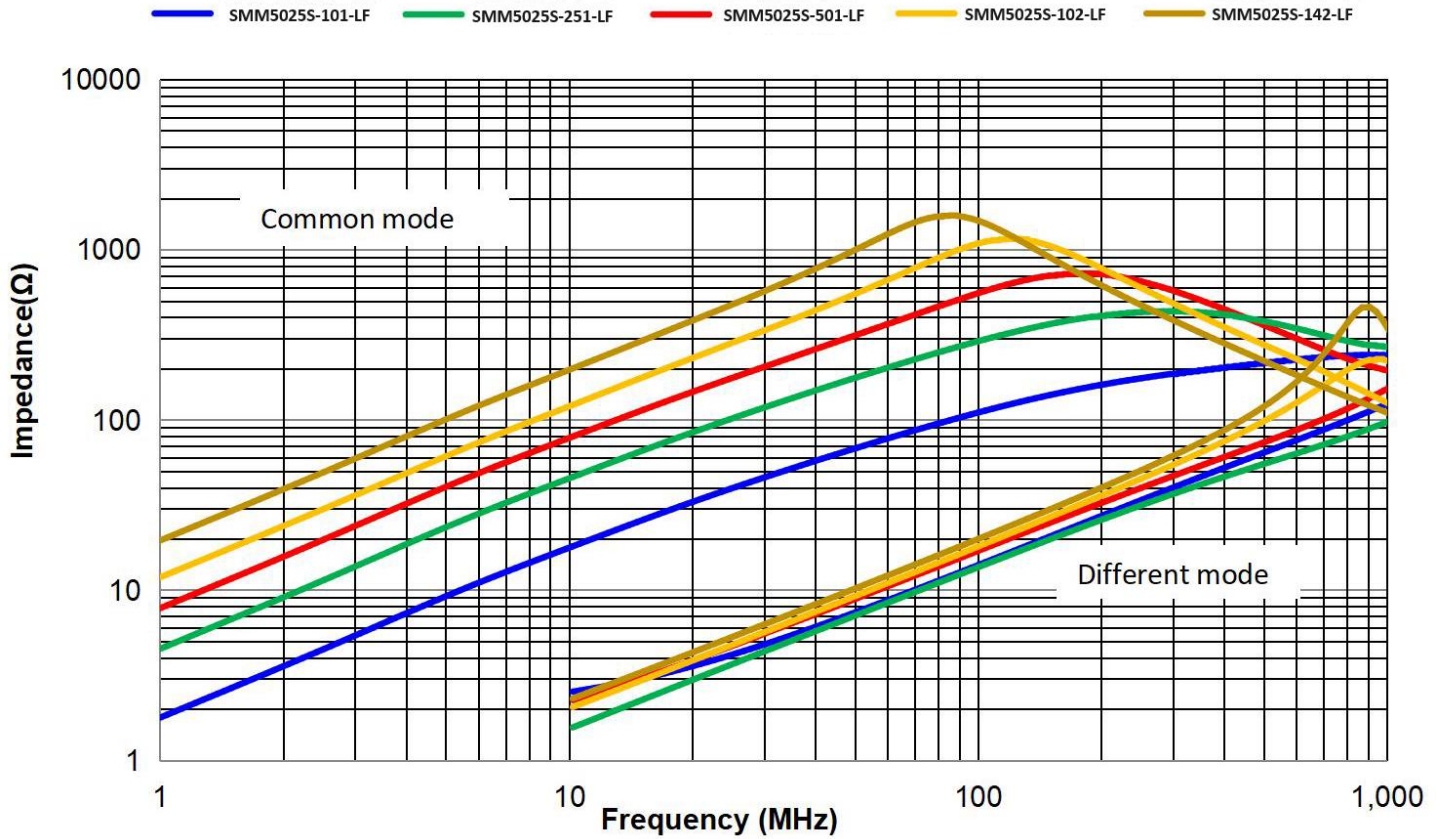
### SPECIFICATION TABLE

| PART NUMBER       | IMPEDANCE at 100MHz (Ω) (Typ) | RATED CURRENT (A) | DCR (mΩ) (Max) | RATED VOLTAGE (Vdc) | INSULATION RESISTANCE (Ω)min |
|-------------------|-------------------------------|-------------------|----------------|---------------------|------------------------------|
| SMM5025S-101-LF-A | 100                           | 6.0               | 14.0           | 50                  | 10M                          |
| SMM5025S-251-LF-A | 250                           | 5.0               | 19.6           | 50                  | 10M                          |
| SMM5025S-501-LF-A | 500                           | 4.0               | 26.6           | 50                  | 10M                          |
| SMM5025S-102-LF-A | 1000                          | 2.0               | 34.0           | 50                  | 10M                          |
| SMM5025S-142-LF-A | 1400                          | 1.5               | 56.0           | 50                  | 10M                          |
| SMM5025S-242-LF-A | 2400                          | 2.0               | 56.0           | 50                  | 10M                          |

- Operating temperature range -40°C to +125°C ,
- Electrical specifications at 20°C.
- AEC-Q200 Qualified
- Suitable for applications: Automotive infotainment, Automotive comfort equipment, and Consumer equipment
- Feature for low profile, small size, high rated current, and high common mode impedance

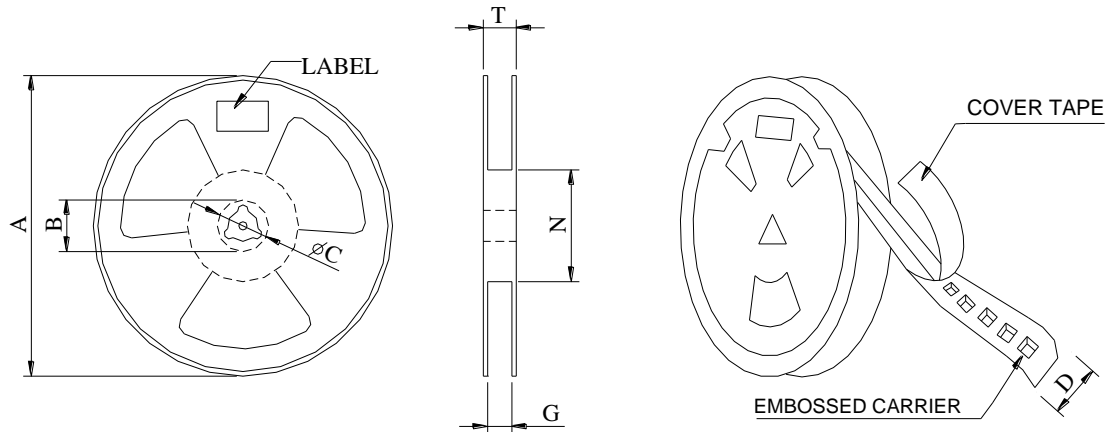


## SMD Common Mode Noise Filters ~ SMM5025S(A) SERIES

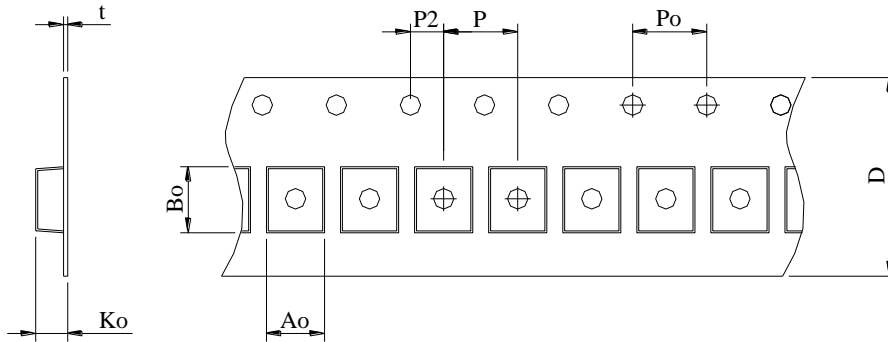




## SMD Common Mode Noise Filters ~ SMM5025S(A) SERIES



\*CARRIER TAPE WIDTH : D



DIMENSIONS (m/m)

| Q'TY (PCS) | A   | B | C            | D            | G | N            | T | Ao          | Bo          | Ko          | t           | P           | Po          | P2          |
|------------|-----|---|--------------|--------------|---|--------------|---|-------------|-------------|-------------|-------------|-------------|-------------|-------------|
| 2500       | 330 | — | 13.5<br>±0.5 | 12.0<br>±0.3 | — | 75.0<br>±2.0 | — | 5.3<br>±0.3 | 5.3<br>±0.3 | 2.5<br>±0.3 | 0.4<br>±0.3 | 8.0<br>±0.3 | 4.0<br>±0.3 | 2.0<br>±0.3 |