



## Low Profile Semi-shielded Inductors ~ SQH3010S SERIES



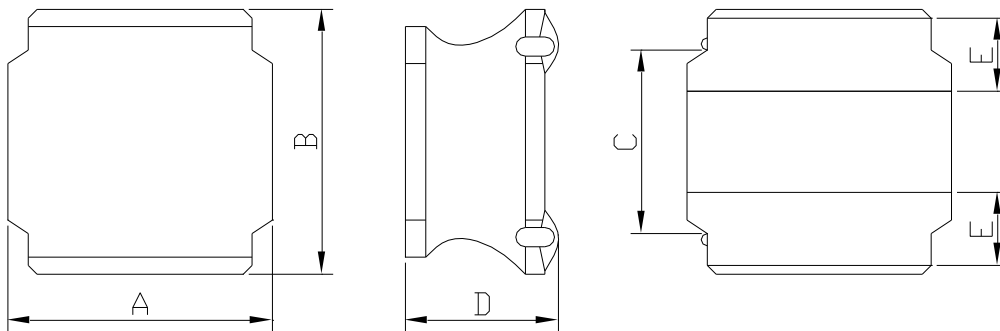
### PART NUMBERING SYSTEM

(AEC-Q200)

<b>SQH</b>	<b>3010S</b>	—	<b>3R3M</b>	—	<b>LF</b>
TYPE	DIMENSIONS		INDUCTANCE		LEAD FREE

### SHAPES AND DIMENSIONS

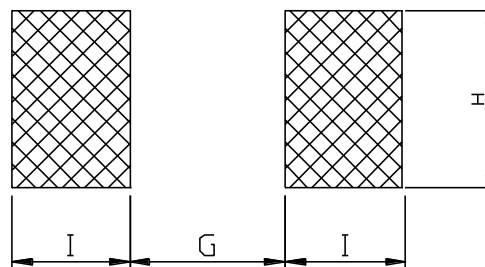
UNIT : mm



A=3.2 Max. B=3.2 Max. C=2.2 Ref. D=1.0. E=0.75 Ref.

### RECOMMENDED PATTERNS

UNIT : mm



G= 1.40 H= 2.80 I = 1.00

### FEATURES

- \* Low profile and small inductors 低高度和小型化電感器 ( 3.2mm Max. square and 1.0mm Max. height )
- \* Magnetically shielded construction and high current 磁遮罩結構和高電流
- \* Ideal for DC-DC converter choke coil for portable equipment ( DVDs , DSC , Cellular , PDAs )  
適用於攜帶式設備 ( DVD、DSC、手機、PDA) DC-DC 轉換器扼流圈
- \* RoHS / REACH compliant and Halogen free 符合 RoHS / REACH 標準，無鹵素
- \* Automotive grade available 提供汽車級別的產品

## Low Profile Semi-shielded Inductors ~ SQH3010S SERIES



### SPECIFICATION TABLE

(AEC-Q200)

PART NUMBER	INDUCTANCE ( $\mu$ H)	DCR ( $\Omega$ ) (Max.)	Isat (A) (Typ.)	Irms (A) (Typ.)	TEST FREQ. ( f )
SQH3010S-1R0N-LF	1.0 $\pm$ 30%	0.085	2.1	1.8	100KHz
SQH3010S-1R5N-LF	1.5 $\pm$ 30%	0.104	1.7	1.6	100KHz
SQH3010S-2R2N-LF	2.2 $\pm$ 30%	0.143	1.5	1.4	100KHz
SQH3010S-3R3M-LF	3.3 $\pm$ 20%	0.189	1.2	1.2	100KHz
SQH3010S-4R7M-LF	4.7 $\pm$ 20%	0.293	1.05	1.1	100KHz
SQH3010S-6R8M-LF	6.8 $\pm$ 20%	0.397	0.75	0.75	100KHz
SQH3010S-100M-LF	10 $\pm$ 20%	0.520	0.75	0.70	100KHz
SQH3010S-150M-LF	15 $\pm$ 20%	0.793	0.57	0.57	100KHz
SQH3010S-220M-LF	22 $\pm$ 20%	1.02	0.43	0.52	100KHz
SQH3010S-330M-LF	33 $\pm$ 20%	2.02	0.42	0.50	100KHz
SQH3010S-470M-LF	47 $\pm$ 20%	2.54	0.35	0.35	100KHz

- Isat : DC current at which the inductance drops 30%(typ) from its value without current.
- Iirms : The temperature rise current value is the DC current value having temperature increase up 40°C temperature rise from 25°C ambient.
- Operating temperature range -40°C to +125°C , Electrical specifications at 25°C .