



SQH3012SA SERIES ~ Low Profile SMD Power Inductors



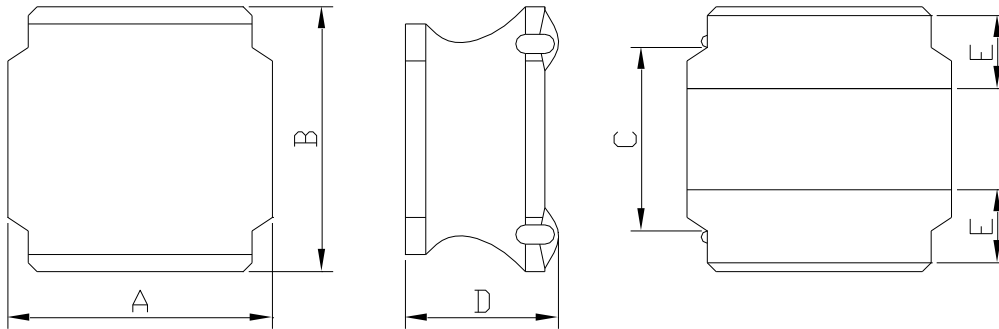
PART NUMBERING SYSTEM

(AEC-Q200)

| | | | | | |
|------------|---------------|---|-------------|---|-----------|
| SQH | 3012SA | — | 2R2M | — | LF |
| TYPE | DIMENSIONS | | INDUCTANCE | | LEAD FREE |

SHAPES AND DIMENSIONS

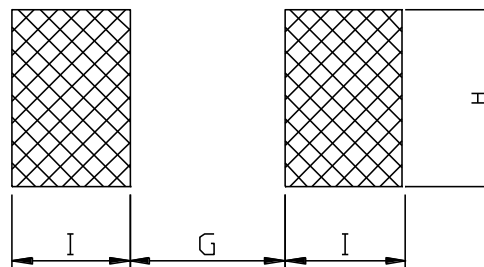
UNIT : mm



A=3.0±0.2 B=3.0±0.2 C=2.17 Ref. D=1.35 Max. E=1.13 Ref.

RECOMMENDED PATTERNS

UNIT : mm



G= 0.50 H= 2.90 I= 1.50

FEATURES

- * Low profile and small inductors 低高度和小型化電感器 (3.2mm Max. square and 1.35mm Max. height)
- * Magnetically shielded construction and high current 磁遮罩結構和高電流
- * Ideal for DC-DC converter choke coil for portable equipment (DVDs , DSC , Cellular , PDAs)
適用於攜帶式設備 (DVD 、 DSC 、 手機 、 PDA) DC-DC 轉換器扼流圈
- * RoHS / REACH compliant and Halogen free 符合 RoHS / REACH 標準，無鹵素
- * Automotive grade available 提供汽車級別的產品



SQH3012SA SERIES ~ Low Profile SMD Power Inductors



SPECIFICATION TABLE

(AEC-Q200)

| PART NUMBER | INDUCTANCE (μ H) | DCR (m Ω) (Max.) | Isat (A) (Max.) | Irms (A) (Max.) | SRF (MHz) |
|-------------------|--------------------------|-----------------------------|--------------------|--------------------|----------------|
| SQH3012SA-R33M-LF | 0.33 \pm 30% | 30.0 | 7.20 | 4.20 | 107 |
| SQH3012SA-R47N-LF | 0.47 \pm 20% | 36.0 | 6.80 | 3.90 | 86 |
| SQH3012SA-R68N-LF | 0.68 \pm 20% | 44.0 | 5.80 | 3.40 | 63 |
| SQH3012SA-1R0N-LF | 1.0 \pm 20% | 58.0 | 4.20 | 2.70 | 51 |
| SQH3012SA-1R5M-LF | 1.5 \pm 20% | 77.0 | 3.40 | 2.50 | 37 |
| SQH3012SA-2R2M-LF | 2.2 \pm 20% | 110.0 | 2.80 | 2.05 | 28 |
| SQH3012SA-3R3M-LF | 3.3 \pm 20% | 158 | 2.20 | 1.70 | 25 |
| SQH3012SA-4R7M-LF | 4.7 \pm 20% | 235 | 2.00 | 1.30 | 20 |
| SQH3012SA-6R8M-LF | 6.8 \pm 20% | 340 | 1.60 | 1.10 | 16 |
| SQH3012SA-100M-LF | 10.0 \pm 20% | 474 | 1.20 | 1.00 | 12 |

- Test Frequency at 100KHz 0.25V
- Isat : DC current at which the inductance drops 30%(typ) from its value without current.
- Irms : The temperature rise current value is the DC current value having temperature increase up 40°C temperature rise from 25°C ambient.
- Operating temperature range -40°C to +125°C , Electrical specifications at 25°C .
- Reel quantity: 2000PCS / Reel