



## Semi Shielded SMD Power Inductors ~ SQH4012SD

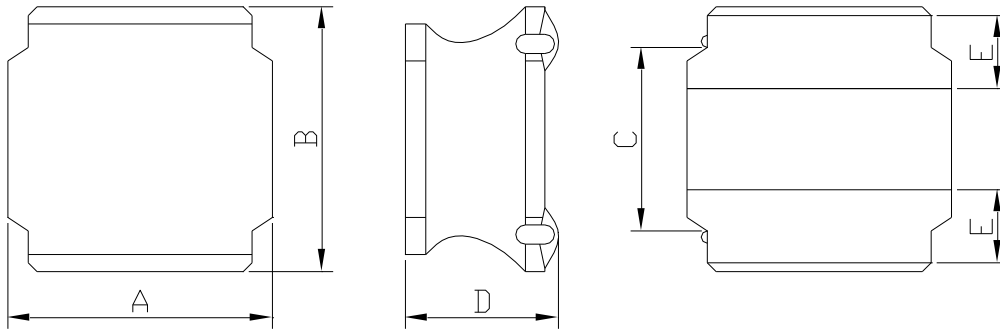


### PART NUMBERING SYSTEM

<b>SQH</b>	<b>4012SD</b>	—	<b>330M</b>	—	<b>LF</b>
TYPE	DIMENSIONS		INDUCTANCE		LEAD FREE

### SHAPES AND DIMENSIONS

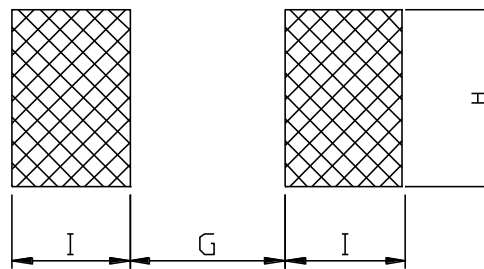
UNIT : mm



A=4.2 Max. B=4.2 Max. C=2.8 Ref. D=1.20 Max. E=1.2 Ref.

### RECOMMENDED PATTERNS

UNIT : mm



G= 1.40 H= 3.70 I= 1.40

### FEATURES

- \* Low profile and small inductors 低高度和小型化電感器 (4.2mm Max. square and 1.2mm Max. height)
- \* Magnetically shielded construction and high current 磁遮罩結構和高電流
- \* Ideal for DC-DC converter choke coil for portable equipment (DVDs, DSC, Cellular, PDAs)  
適用於攜帶式設備 (DVD、DSC、手機、PDA) DC-DC 轉換器扼流圈
- \* RoHS / REACH compliant and Halogen free 符合 RoHS / REACH 標準，無鹵素
- \* Automotive grade available 提供汽車級別的產品



## SPECIFICATION TABLE

PART NUMBER	INDUCTANCE ( $\mu$ H)	DCR ( $\Omega$ ) (Max.)	Isat (A) (Max.)	Irms (A) (Max.)	TEST FREQ. ( f )
SQH4012SD-R33N-LF	0.33 $\pm$ 30%	0.035	4.3	3.3	100KHz
SQH4012SD-R82N-LF	0.82 $\pm$ 30%	0.065	3.3	2.5	100KHz
SQH4012SD-1R0N-LF	1.0 $\pm$ 30%	0.065	3.2	2.5	100KHz
SQH4012SD-1R5N-LF	1.5 $\pm$ 30%	0.085	2.7	2.2	100KHz
SQH4012SD-1R8N-LF	1.8 $\pm$ 30%	0.104	2.5	1.9	100KHz
SQH4012SD-2R2M-LF	2.2 $\pm$ 20%	0.104	2.3	1.9	100KHz
SQH4012SD-2R7M-LF	2.7 $\pm$ 20%	0.117	2.1	1.7	100KHz
SQH4012SD-3R3M-LF	3.3 $\pm$ 20%	0.143	2.1	1.6	100KHz
SQH4012SD-4R7M-LF	4.7 $\pm$ 20%	0.163	1.8	1.5	100KHz
SQH4012SD-5R6M-LF	5.6 $\pm$ 20%	0.182	1.6	1.2	100KHz
SQH4012SD-6R8M-LF	6.8 $\pm$ 20%	0.257	1.4	1.1	100KHz
SQH4012SD-100M-LF	10 $\pm$ 20%	0.345	1.1	1.0	100KHz
SQH4012SD-120M-LF	12 $\pm$ 20%	0.377	1.0	0.95	100KHz
SQH4012SD-150M-LF	15 $\pm$ 20%	0.442	0.8	0.85	100KHz
SQH4012SD-220M-LF	22 $\pm$ 20%	0.763	0.7	0.70	100KHz
SQH4012SD-330M-LF	33 $\pm$ 20%	1.06	0.6	0.58	100KHz
SQH4012SD-470M-LF	47 $\pm$ 20%	1.43	0.5	0.50	100KHz
SQH4012SD-680M-LF	68 $\pm$ 20%	2.08	0.42	0.35	100KHz
SQH4012SD-820M-LF	82 $\pm$ 20%	2.40	0.38	0.32	100KHz
SQH4012SD-101M-LF	100 $\pm$ 20%	2.88	0.32	0.32	100KHz

- Isat : DC current at which the inductance drops 30%(typ) from its value without current.
- Irms : The temperature rise current value is the DC current value having temperature increase up 40°C temperature rise from 25°C ambient.
- Operating temperature range -40°C to +125°C , Electrical specifications at 25°C .
- Automotive grade available
- Packing quantity: 4500pcs per reel