

Semi Shielded SMD Power Inductors ~ SQH4015S

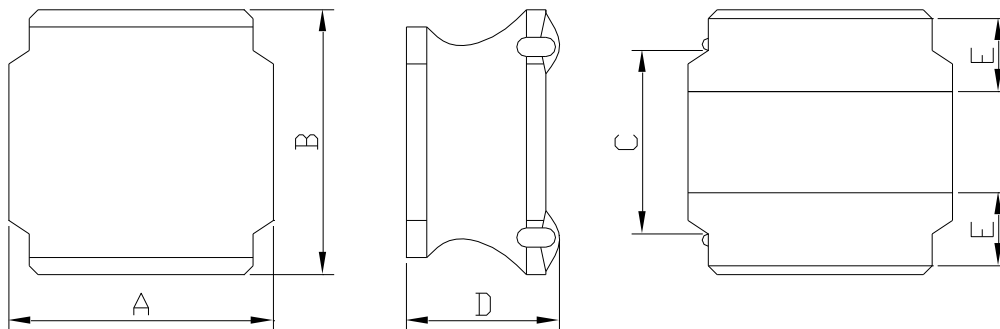


PART NUMBERING SYSTEM

SQH	4015S	—	330M	—	LF
TYPE	DIMENSIONS		INDUCTANCE		LEAD FREE

SHAPES AND DIMENSIONS

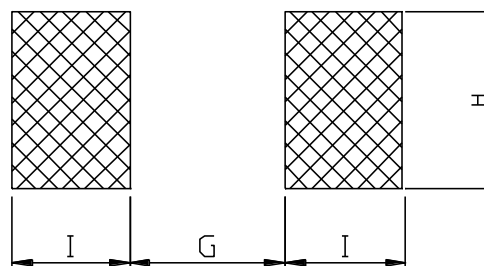
UNIT : mm



A=4.2 Max. B=4.2 Max. C=2.8 Ref. D=1.50 Max. E=1.2 Ref.

RECOMMENDED PATTERNS

UNIT : mm



G= 1.40 H= 3.70 I= 1.40

FEATURES

- * Low profile and small inductors 低高度和小型化電感器 (4.2mm Max. square and 1.5mm Max. height)
- * Magnetically shielded construction and high current 磁遮罩結構和高電流
- * Ideal for DC-DC converter choke coil for portable equipment (DVDs, DSC, Cellular, PDAs)
適用於攜帶式設備 (DVD、DSC、手機、PDA) DC-DC 轉換器扼流圈
- * RoHS / REACH compliant and Halogen free 符合 RoHS / REACH 標準，無鹵素
- * Automotive grade available 提供汽車級別的產品



SPECIFICATION TABLE

PART NUMBER	INDUCTANCE (μ H)	DCR (Ω) (Max.)	Isat (A) (Typ.)	Irms (A) (Typ.)	TEST FREQ. (f)
SQH4015S-1R0N-LF	1.0 \pm 30%	0.060	5.5	5.0	100KHz
SQH4015S-1R5N-LF	1.5 \pm 30%	0.068	4.6	4.6	100KHz
SQH4015S-2R2M-LF	2.2 \pm 20%	0.072	3.6	3.2	100KHz
SQH4015S-3R3M-LF	3.3 \pm 20%	0.114	3.1	2.5	100KHz
SQH4015S-4R7M-LF	4.7 \pm 20%	0.163	2.5	2.3	100KHz
SQH4015S-5R6M-LF	5.6 \pm 20%	0.202	2.3	2.1	100KHz
SQH4015S-6R8M-LF	6.8 \pm 20%	0.218	2.0	1.9	100KHz
SQH4015S-8R2M-LF	8.2 \pm 20%	0.306	1.8	1.8	100KHz
SQH4015S-100M-LF	10 \pm 20%	0.384	1.6	1.5	100KHz
SQH4015S-150M-LF	15 \pm 20%	0.465	1.45	1.4	100KHz
SQH4015S-220M-LF	22 \pm 20%	0.615	1.30	1.2	100KHz
SQH4015S-330M-LF	33 \pm 20%	1.275	0.80	0.9	100KHz
SQH4015S-470M-LF	47 \pm 20%	1.38	0.65	0.6	100KHz
SQH4015S-680M-LF	68 \pm 20%	1.95	0.60	0.5	100KHz
SQH4015S-101M-LF	100 \pm 20%	2.35	0.45	0.4	100KHz

- Isat : DC current at which the inductance drops 30%(typ) from its value without current.
- Irms : The temperature rise current value is the DC current value having temperature increase up 40°C temperature rise from 25°C ambient.
- Operating temperature range -40°C to +125°C , Electrical specifications at 25°C .
- Automotive grade available
- Packing quantity: 3000pcs per reel